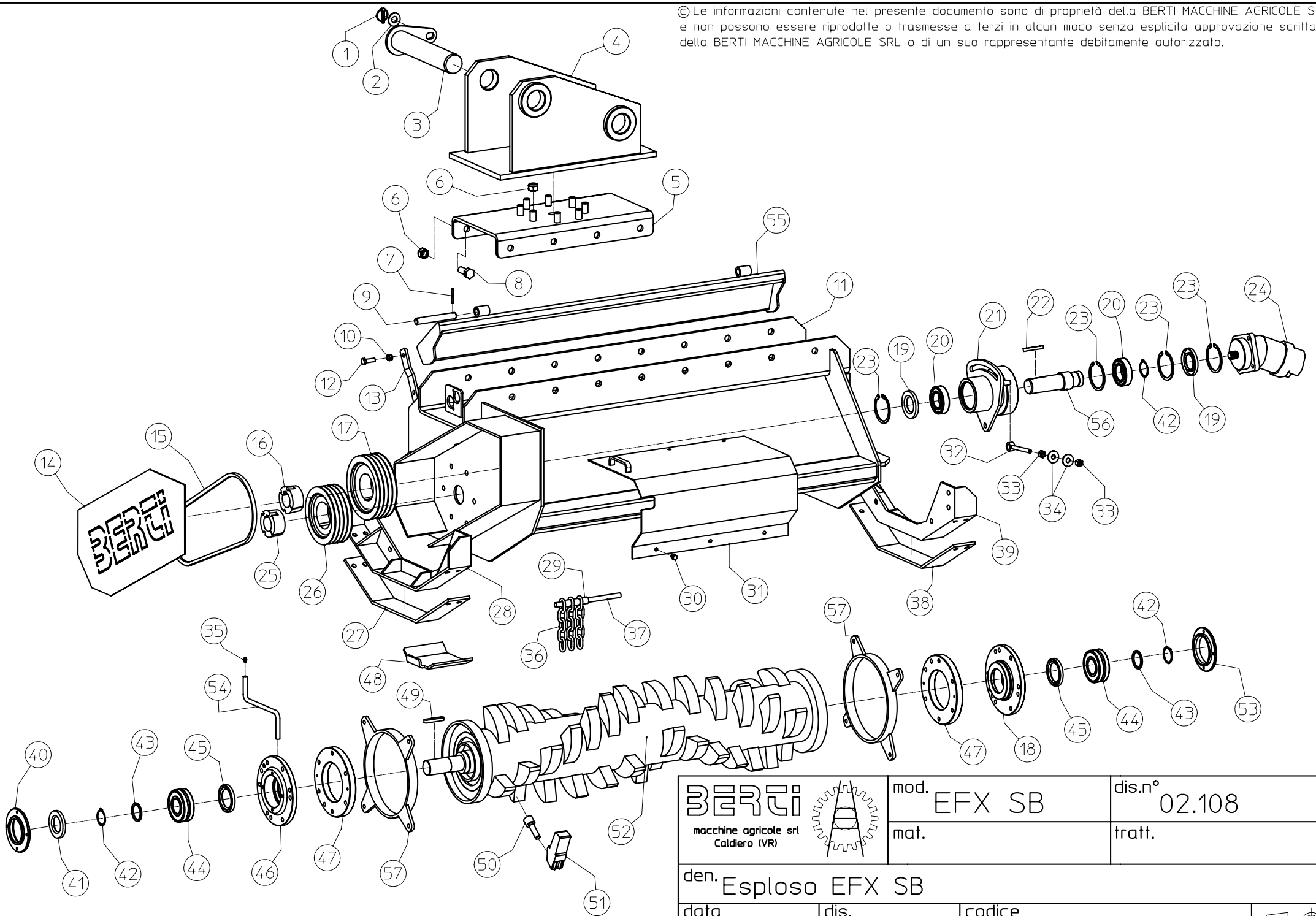

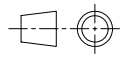


© Le informazioni contenute nel presente documento sono di proprietà della BERTI MACCHINE AGRICOLE SRL e non possono essere riprodotte o trasmesse a terzi in alcun modo senza esplicita approvazione scritta della BERTI MACCHINE AGRICOLE SRL o di un suo rappresentante debitamente autorizzato.



 macchine agricole srl Caldiero (VR)	mod. EFX SB	dis.n° 02.108
	mat.	tratt.
den. Esploso EFX SB		
data 29/10/2007	dis. ANDREA	codice 02.108



Parts List:

Mod. EFX/SB

fig. 02.108

BERTI MACCHINE AGRICOLE S.p.A.

Pos.	ITEM	EFX/SB 100	EFX/SB 120	EFX/SB 140	EFX/SB 160			
1	PIN	SSX10Z	SSX10Z	SSX10Z	SSX10Z			
2	WASHER	RP26XXFZ	RP26XXFZ	RP26XXFZ	RP26XXFZ			
3	ATTACHM. PIN	*	*	*	*	* ADVISE		
4	ATTACHMENT PLATE	*	*	*	*	MEASURES		
5	SUPPORTING PLATE FOR HITCH	PA/1861	PA/1861	PA/1861	PA/1861			
6	NUT M24	DE24AL6SPFZAB	DE24AL6SPFZAB	DE24AL6SPFZAB	DE24AL6SPFZAB			
7	ELASTIC PIN	SE06060	SE06060	SE06060	SE06060			
8	SCREW M24x60	V240605740Z	V240605740Z	V240605740Z	V240605740Z			
9	HINGE PIN	PE0250180	PE0250180	PE0250180	PE0250180			
10	NUT M14	DE14AL6SPGN	DE14AL6SPGN	DE14AL6SPGN	DE14AL6SPGN			
11	CHASSIE	CCC100/2113	CCC120/2113	CCC140/2113	CCC160/2113			
12	SCREW M14x45	V140452TF088N	V140452TF088N	V140452TF088N	V140452TF088N			
13	PLATE	LC/0173	LC/0173	LC/0173	LC/0173			
14	COVER	CC/1083	CC/1083	CC/1083	CC/1083			
15	BELT	CIXPB1700	CIXPB1700	CIXPB1800	CIXPB1800			
16	CENTRE LOCK	CA6090	CA6090	CA6090	CA6090			
17	PULLEY	PG280G4F90	PG280G4F90	PG280G4F90	PG280G4F90			
18	LH ROTOR HOUSING	SR/2691	SR/2691	SR/2691	SR/2691			
19	SEAL RING 60x110x12	AT06011012	AT06011012	AT06011012	AT06011012			
20	ROLLER BEARING SKF	COR22212	COR22212	COR22212	COR22212			
21	SUPPORT	ST/1133	ST/1133	ST/1133	ST/1133			
22	KEY	CH181140	CH181140	CH181140	CH181140			
23	CIRCLIP 110 i	ASI110	ASI110	ASI110	ASI110			
24	HYDR. PISTON MOTOR	MP75S	MP75S	MP75S	MP75S			
25	CENTRE LOCK	BC060/3020	BC060/3020	CA6090	CA6090			
26	PULLEY	PG225G4/3020	PG225G4/3020	PG280G4F90	PG280G4F90			
27	LH UNDERSHOE	ZS012SX/0711	ZS012SX/0711	ZS012SX/0711	ZS012SX/0711			
28	LH SKID	SL/0710	SL/0710	SL/0710	SL/0710			
29	SPACER-RING	DC283L25	DC283L25	DC283L25	DC283L25			
30	SCREW M10x16 flange	V1001602TF109Z	V1001602TF109Z	V1001602TF109Z	V1001602TF109Z			
31	COVER FOR MOTOR	CM/1081	CM/1081	CM/1081	CM/1081			
32	BELT ADJUSTING BOLT	TT/0698	TT/0698	TT/0698	TT/0698			
33	NUT M16	DE16AL6SPGN	DE16AL6SPGN	DE16AL6SPGN	DE16AL6SPGN			
34	WASHER	RF1648FN	RF1648FN	RF1648FN	RF1648FN			
35	GREASE NIPPLE	IN101XXDR	IN101XXDR	IN101XXDR	IN101XXDR			
36	CHAIN	CGSZ010	CGSZ010	CGSZ010	CGSZ010			
37	BAR FOR CHAINS	FTL018L1030	FTL018L1230	FTL018L1430	FTL018L1630			
38	RH UNDERSHOE	ZS012DX/0711	ZS012DX/0711	ZS012DX/0711	ZS012DX/0711			
39	RH SKID	SL/0709	SL/0709	SL/0709	SL/0709			
40	LH COVER	CS/1769	CS/1769	CS/1769	CS/1769			
41	SEAL RING 75x110x12	AT07511012	AT07511012	AT07511012	AT07511012			
42	CIRCLIP 60 i	ASE060	ASE060	ASE060	ASE060			
43	WASKER FOR BEARING	RC/2086	RC/2086	RC/2086	RC/2086			

