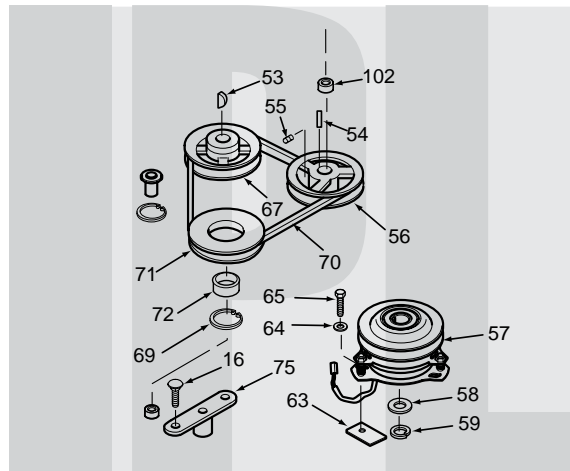


SCAG[®]

POWER EQUIPMENT



MODEL SWZ

ILLUSTRATED PARTS LIST

THIS MANUAL CONTAINS THE ILLUSTRATED PARTS LIST FOR MODELS:

SWZ36A-15KA	with a serial number of A1400001 to A1499999
SWZ48A-17KA	with a serial number of A1600001 to A1699999
SWZ48A-17KAE	with a serial number of A1700001 to A1799999
SWZ48A-18HN	with a serial number of A1800001 to A1899999
SWZ52A-17KA	with a serial number of A1900001 to A1999999
SWZ52A-18HN	with a serial number of A2000001 to A2099999
SWZ52A-18KH	with a serial number of A2100001 to A2199999
SWZ52A-19KAI	with a serial number of A2200001 to A2299999
SWZ-17KA	with a serial number of A3100001 to A3199999
SWZ-19KAI	with a serial number of A3200001 to A3299999
SWZ-21KAE	with a serial number of A3300001 to A3399999
SWM-52A	with a serial number of A3400001 to A3499999
SWM-61A	with a serial number of A3500001 to A3599999

SCAG[®]

POWER EQUIPMENT

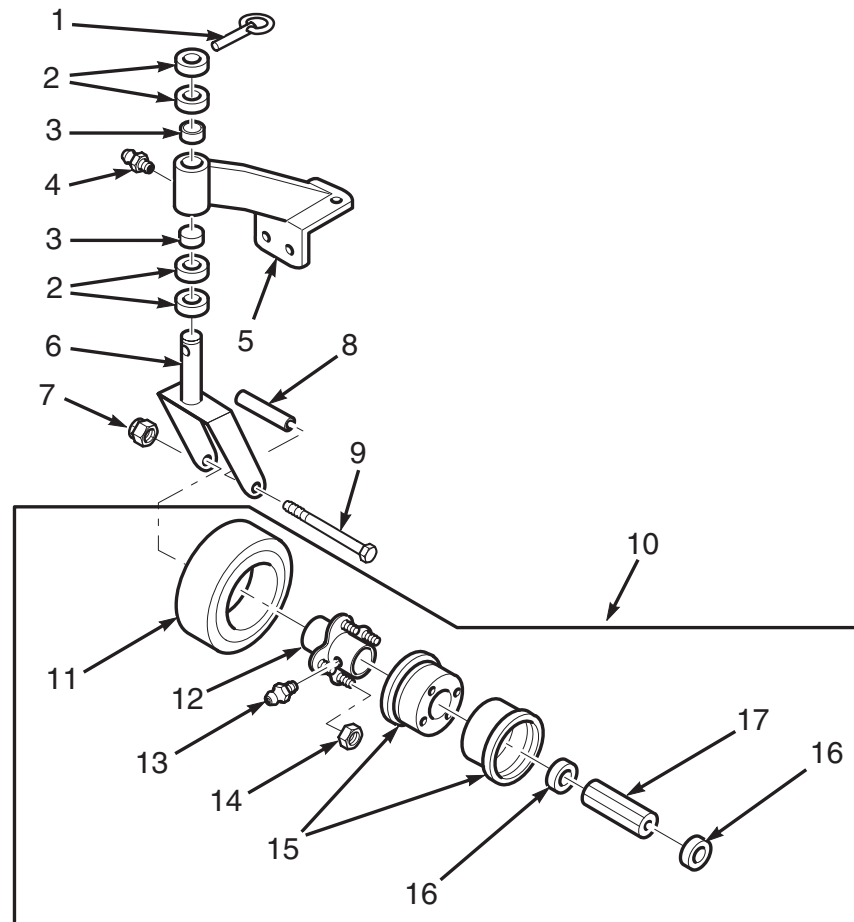
TABLE OF CONTENTS

SUBJECT	PAGE
Illustrated Parts List	
Notes	2
Caster Assembly	3
SWM-36"	4-5
SWM-48", 52", 61" Cutter Deck	6-7
Engine Deck - Manual Start	8-9
Engine Deck - Electric Start	10-11
Drive And Brake Brake Components	12-13
Notes	14
Serial Number Breakdown	15
Handle Assembly - Small Frame (16") - Refer to Serial Breakdown on Page 15	16-17
Notes	18
Serial Number Breakdown	19
Handle Assembly - Small Frame (16") - Refer to Serial Breakdown on Page 19	20-21
Handle Assembly - Large Frame (20")	22-23
Hydraulic Assembly	24-25
Hydraulic Pump Assembly	26-27
Engine Deck Wire Harness (Manual Start)	28
Handle Wire Harness (Manual Start)	28
Engine Deck Wire Harness - Kawasaki (Electric Start)	29
Handle Wire Harness - Kawasaki (Electric Start)	29
Wire Harness Adapter-Honda (18 HP)	30
Wire Harness Adapter-Kawasaki (15 HP, 17 HP & 19 HP)	30
Replacement Decals	31-33



NOTES

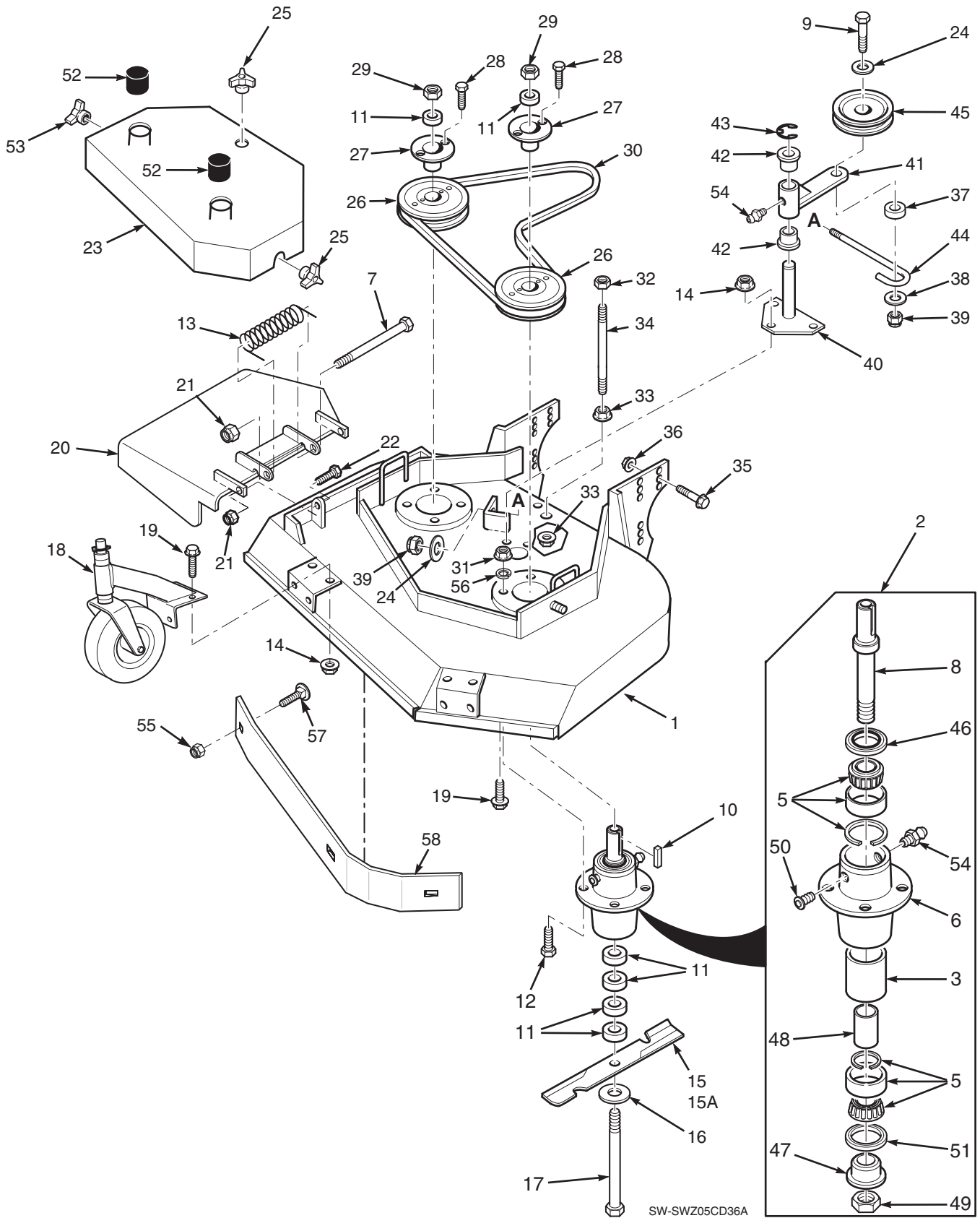
CASTER ASSEMBLY



SW-SWZ2003CSTR

Ref. No.	Part No.	Description	36A 52A	48A 61A
1	04066-01	Quick Pin	x	x
2	43037-01	Spacer, Caster Yoke, 1/2" Long	x	x
3	48100-01	Bronze Bearing	x	x
4	48114-04	Grease Fitting	x	x
5	46082	Support Assembly (Includes Items (3 & 4))	x	x
6	45006	Caster Yoke	x	x
7	04021-07	Elastic Stop Nut, 1/2-13	x	x
8	43022	Sleeve, Caster Wheel Bearing	x	x
9	04001-37	Hex Hd. Bolt, 1/3-13 x 5-1/2"	x	x
10	48307	Wheel Assy. (Includes Items 11-17)	x	x
11	481774	Tire Only, Caster Wheel	x	x
	481773	Inner Tube Only (Not Shown)	x	x
12	481768	Hub Assembly	x	x
13	48114-03	Grease Fitting, 45 Degree 1/4-28	x	x
14	481771	Tapered Nut, 5/16-24	x	x
15	481772	Rim Pair, Caster Wheel	x	x
16	481770	Retainer, Bearing, Caster Wheel	x	x
17	481769	Roller Bearing, Caster Wheel	x	x

36A" CUTTER DECKS

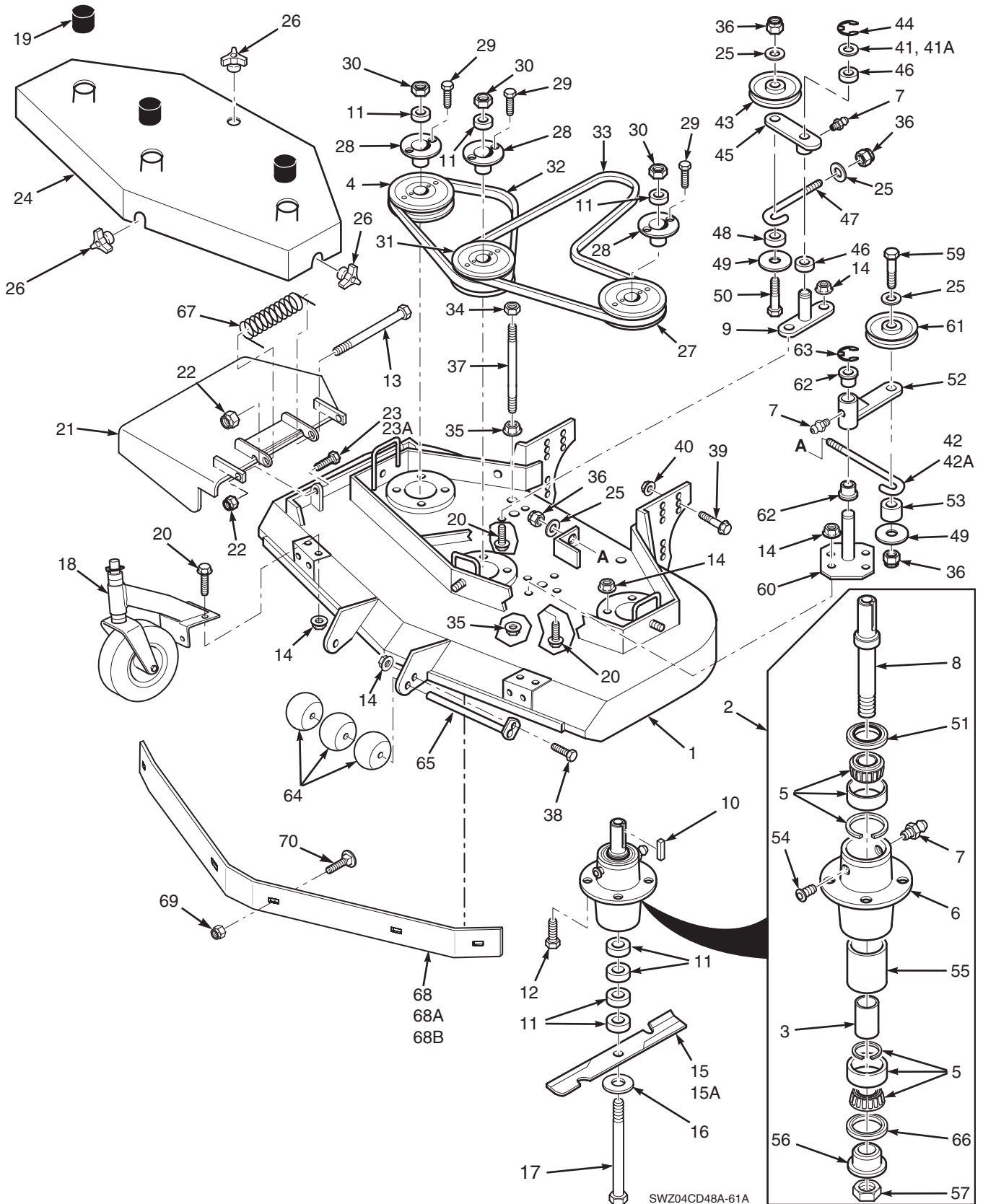


SW-SWZ05CD36A

36A" CUTTER DECKS

Ref. Part No. Number	Description	Ref. Part No. Number	Description		
1	461634	Cutter Deck (Includes Decals)	48	43296	Spacer, Inside
2	461663	Cutter Spindle Assy.	49	481035	Nut, 1.06-18
3	43312	Spacer, Outside	50	48677	Relief Fitting, Cutter Spindle
5	481022	Tapered Bearing (Two)	51	481025	Seal, Cutter Spindle
6	43644	Spindle Housing	52	48098	Spindle Shield
7	04001-154	Bolt, 5/16-18 x 4-3/4" Hex Head	53	04029-04	Wing Nut, 3/8-16 (Small) RH side
8	43589	Spindle Shaft	54	48114-04	Grease Fitting
9	04001-77	Bolt, 3/8-16 x 3-1/2" Hex Head	55	04021-09	Nut, Hex Elastic Stop 3/8-16
10	04063-08	Key, 1/4 x 1/4 x 2"	56	04030-03	Lock Washer, 5/16"
11	43592	Spacer, Cutter Blade - Small	57	04003-23	Bolt, Carriage 3/8-16 x 1"
12	04001-175	Bolt, 5/16-18 x 1-1/2" Hex Head Grade 8	58	423783	Baffle Weldment
13	482245	Spring, Chute Return			
14	04019-03	Nut 5/16-18 Serrated Flange			
15	481707	Cutter Blade, 18" Marbain			
15A	481711	Cutter Blade, 18" Hi Lift Marbain			
16	04043-06	Flatwasher, 5/8 W			
17	04001-41	Hex Hd. Bolt, 5/8-11 x 9-1/2"			
18	46079	Caster Assembly (See Page 23)			
19	04017-16	Cpssrw, 5/16-18 x 3/4" Ser.Flg. Hex Head			
20	461295	Discharge Chute			
21	04021-10	Hex Nut, 5/16-18 Elastic Stop			
22	04001-09	Hex Hd Bolt, 5/16-18 x 1"			
23	461413	Belt Cover Assy (Includes Decal)			
24	04043-04	Flat Washer, 3/8" Special			
25	04029-03	Wing Nut, 3/8-16			
26	482744	Pulley			
27	48926	Tapered Hub			
28	04001-172	Hex Hd. Bolt, 1/4-20 x 1" Grade 8			
29	04020-09	Hex Nut, 5/8-11			
30	48204	Belt, Blade Drive			
31	04021-22	Elastic Stop Nut, 5/16-18 Grade 8			
32	04021-05	Hex Nut, 3/8-16 Center Locknut			
33	04019-04	Nut, 3/8-16 Serrated Flange			
34	04004-02	Support, Belt Cover			
35	04017-36	Cpssrw, 1/2-13 x 1" Ser.Flg. HH			
36	04112-05	Nut, 1/2-13 Spirallock			
37	43277	Spacer, J-Hook			
38	04041-12	Washer, 3/8 x 1-1/2 x 16 GA			
39	04021-09	Elastic Stop Nut, 3/8-16			
40	45423	Idler Pivot			
41	46748	Idler Arm Assy. (Inc. 42 & 54)			
42	48100-02	Bronze Bearing			
43	04050-05	Retaining Ring, 1-1/8" Ext. "E"			
44	44078	J-Hook			
45	482416	Idler Pulley, Belt Clutch			
46	481024	Seal, Cutter Spindle			
47	43297	Spindle Bushing			

48A, 52A, & 61A, CUTTER DECKS



SWZ04CD48A-61A

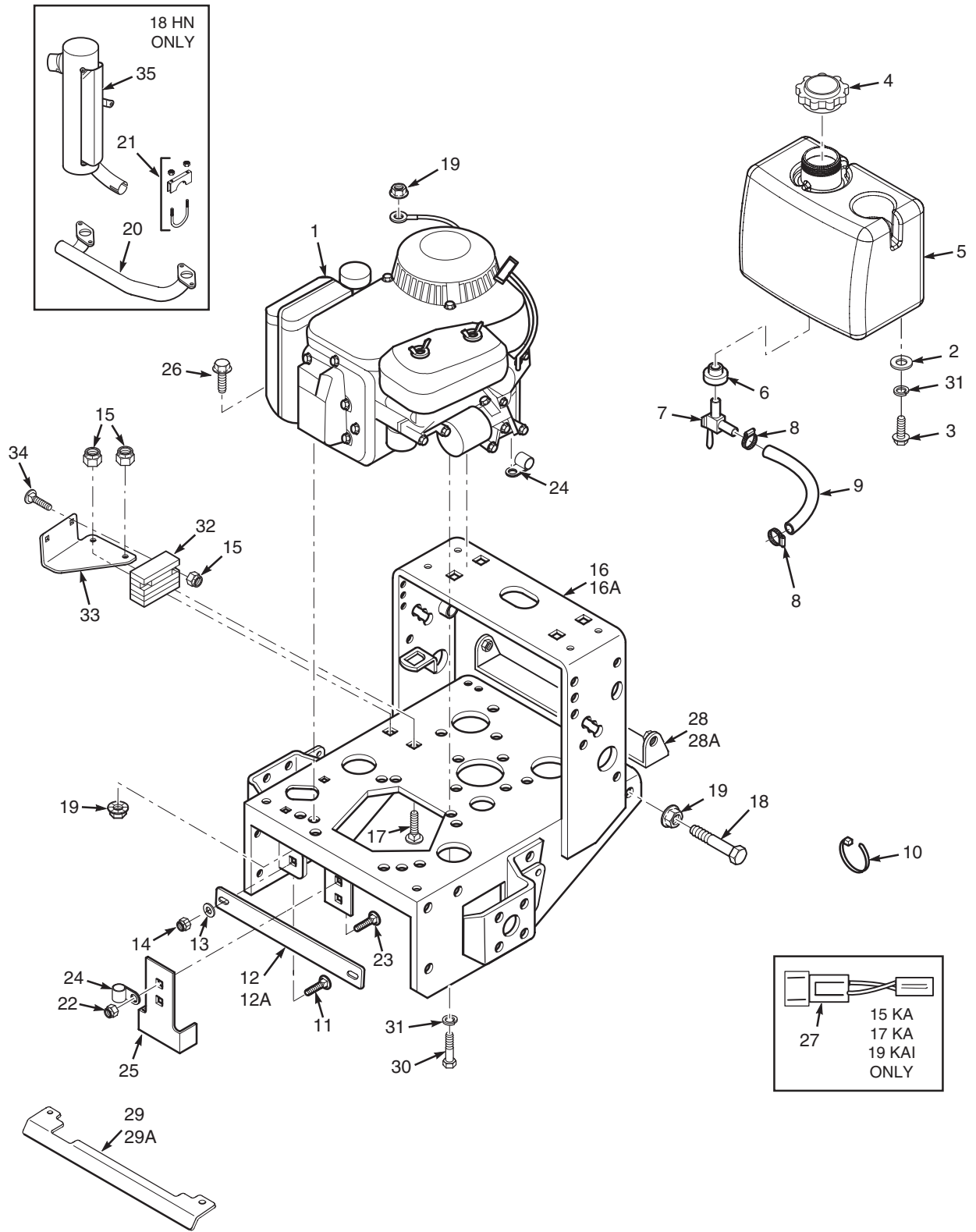
48A, 52A, & 61A CUTTER DECKS

Ref. Part No. No.	Description	48	52	61	Ref. Part No. No.	Description	48	52	61	
1	461636	Cutter Deck (Inc. Decals)	x			33	48089	Belt, Blade Drive	x	
1*	461643	Cutter Deck (Inc. Decals)		x			48286	Belt, Blade Drive		x
1*	461645	Cutter Deck (Inc. Decals)		x			48088	Belt, Blade Drive		x
1	461653	Cutter Deck (Inc. Decals)			x	34	04021-05	Nut, 3/8-16, Nut Centerlock	x	x
2	461663	Spindle Assembly	x	x	x	35	04019-04	Nut, 3/8-16, Serrated Flange	x	x
3	43296	Spacer, Inside	x	x	x	36	04021-09	Nut, 3/8-16 Elastic Stop	x	x
4	482744	Pulley	x	x	x	37	04004-02	Support, Belt Cover	x	x
5	481022	Tapered Bearing (Two)	x	x	x	38	04001-09	Bolt, 5/16-18 x 1" Hex Head	x	x
6	43644	Spindle Housing	x	x	x	39	04017-36	Cpscrw, 1/2-13 x 1" Ser Flng Hex Hd	x	x
7	48114-04	Grease Fitting Str. 5/16	x	x	x	40	04112-05	Nut, 1/2-13 Spiralock	x	x
8	43589	Spindle Shaft, Tapered Brng	x	x	x	41	04041-08	Flat Washer 3/4" Special	x	x
9	45037	Idler Pivot	x	x	x	41A	04041-08S	Flat Washer 3/4" Special	x	x
10	04063-08	Key, 1/4 x 1/4 x 2"	x	x	x	42	44078	J-Hook	x	x
11	43592	Spacer, Cutter Blade - Small	x	x	x	42A	43028	J-Hook		x
12	04001-175	Bolt, 5/16-18 x 1-1/2" Hex Head Gr 8	x	x	x	43	48181	Idler Pulley, "V" Groove	x	x
13	04001-154	Bolt, 5/16-18 x 4-3/4" Hex Head	x	x	x	44	04050-02	Retaining Ring, 3/4" Ext."E"	x	x
14	04019-03	Serrated Flange Nut, 5/16-18	x	x	x	45	46081	Idler Arm Assy. (Incl. 7 & 46)	x	x
15	481706	Cutter Blade 16-1/2"	x			46	48100-05	Bronze Bearing	x	x
	481707	Cutter Blade 18"		x		47	43028	J-Rod, Idler Pulley	x	x
	481708	Cutter Blade 21"			x	48	43077	Spacer, J-Rod	x	x
15A	481710	Cutter Blade 16-1/2" Hi Lift	x			49	04041-12	Washer, 3/8 x 1-1/2 x 16 ga.	x	x
	481711	Cutter Blade 18" Hi Lift		x		50	04001-46	Bolt, 3/8-16 x 2-1/4" Hex Head	x	x
	481712	Cutter Blade 21" Hi Lift			x	51	481024	Seal, Cutter Spindle	x	x
16	04043-06	Flatwasher, 5/8" (.688 x 1.75 x .134)	x	x	x	52	46748	Idler Arm Assy (Includes 62 & 7)	x	x
17	04001-41	Hex Head Bolt, 5/8-11 x 9-1/2"	x	x	x	53	43277	Spacer, J-Rod	x	x
18	46079	Caster Assembly (See Page 23)	x	x	x	54	48677	Relief Fitting, Cutter Spindle	x	x
19	48098	Spindle Shield	x	x	x	55	43312	Spacer, Outside, Cutter Spindle	x	x
20	04017-16	Capscrew, 5/16-18 x 3/4"	x	x	x	56	43297	Spindle Bushing	x	x
21	461296	Discharge Chute			x	57	481035	Nut, Cutter Spindle	x	x
	461295	Discharge Chute	x	x		58	04029-04	Wing Nut, 3/8-16		
22	04021-10	Nut, 5/16-18 Elastic Elastic Stop	x	x	x	59	04001-77	Bolt, 3/8-16 x 3-1/2" Hex Head	x	x
23	04001-11	Bolt, 5/16-18 x 1-1/2" Hex Head(front)	x	x	x	60	45329	Idler Pivot	x	x
23A	04001-12	Bolt, 5/16-18 x 1-3/4" Hex Head(rear)	x	x	x	61	482416	Idler Pulley, Belt Clutch	x	x
24	461095	Belt Cover (Includes decals)	x			62	48100-02	Bronze Bearing	x	x
24**	46804	Belt Cover (Includes decals)		x		63	04050-05	Retaining Ring	x	x
24**	461252	Belt Cover (Includes decals)		x		64	482295	Guide Roller	x	x
24	461583	Belt Cover (Includes decals)			x	65	45944	Roller Shaft	x	x
25	04043-04	Flat Washer, 3/8" Special	x	x	x	66	481025	Seal, Cutter Spindle	x	x
26	04029-03	Wing Nut, 3/8-16 (Large)	x	x	x	67	482245	Spring, Chute Return	x	x
27	482744	Pulley	x	x		68	423786	Baffle Weldment 48A	x	
	482745	Pulley			x	68A	423803	Baffle Weldment 52A		x
28	48926	Tapered Hub	x	x	x	68B	423792	Baffle Weldment 61A		x
29	04001-172	Bolt, 1/4-20 x 1" Hex Head	x	x	x	69	04021-09	Nut, Hex Elastic Stop 3/8-16	x	x
30	04020-09	Nut, 5/8-11 Hex	x	x	x	70	04003-23	Bolt, Carriage 3/8-16 x 1"	x	x
31	482748	Pulley, Double	x	x						
	48940	Pulley, Double			x					
32	48087	Belt, RH Blade Drive	x							
	48285	Belt, RH Blade Drive		x						
	48265	Belt, RH Blade Drive			x					

* Measure the engine deck to determine frame size. 461643 is for small frame (16") & 461645 is for large frame (20")

** Measure the engine deck to determine frame size. 46804 is for small frame (16") & 461252 is for large frame (20")

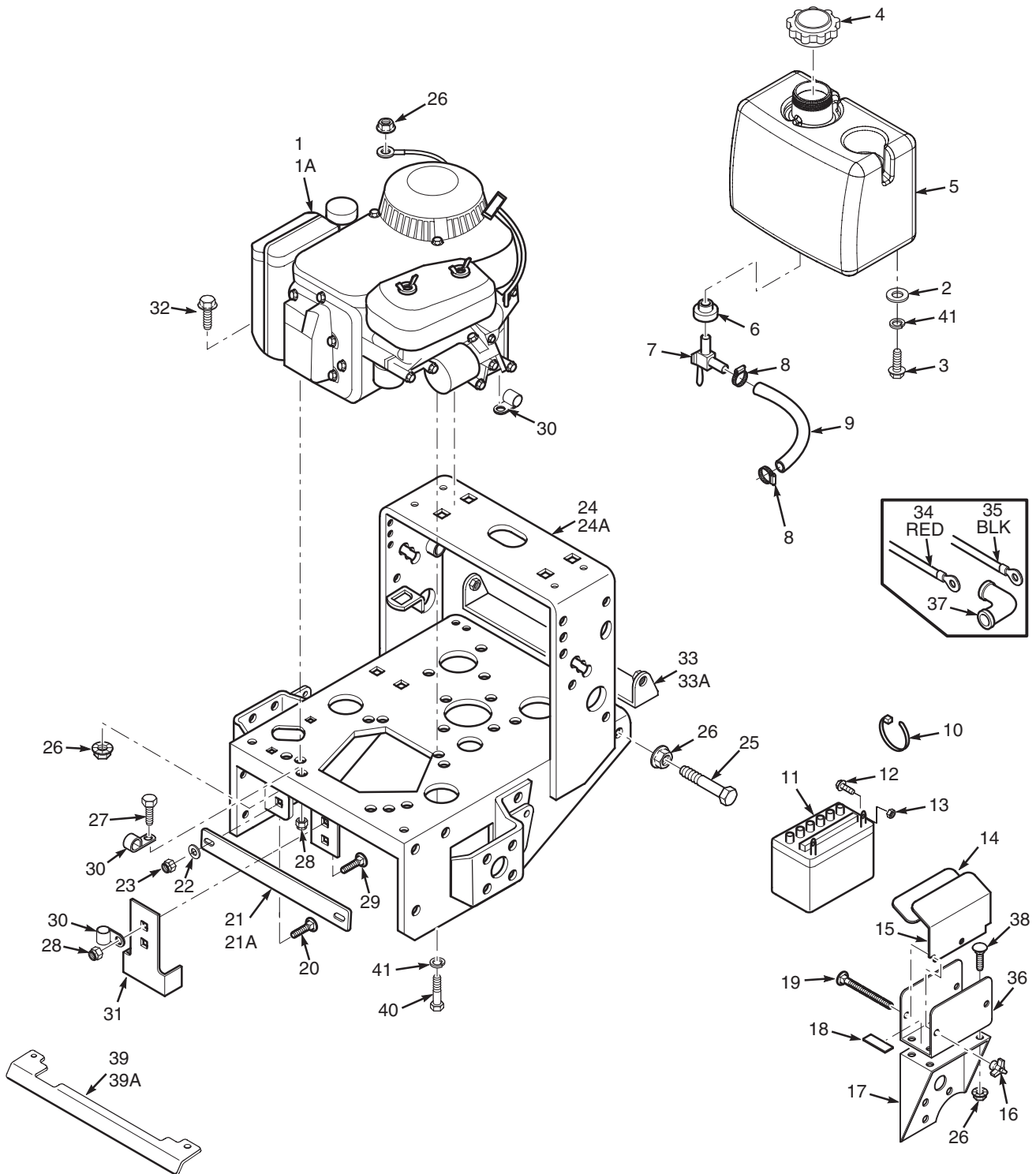
ENGINE DECK - MANUAL START



ENGINE DECK - MANUAL START

Ref. No.	Part No.	Description	15KA	17KA	19KAI	18KH	18HN
1	482804	Engine, 15KA Kawasaki	x				
	482805	Engine, 17KA Kawasaki		x			
	482928	Engine, 19KAI Kawasaki			x		
	482854	Engine, 18KH Kohler				x	
	482705	Engine, 18HN Honda					x
2	04040-15	Flatwasher, 5/16 (.375 x .875 x .083)	x	x	x	x	x
3	04001-09	Capscrew, 5/16-18 x 1" Hex Head	x	x	x	x	x
4	482547	Cap, Fuel Tank	x	x	x	x	x
5	461729	Fuel Tank Assy. (incl. 8, 9)	x	x	x	x	x
6	48309	Bushing	x	x	x	x	x
7	48308	Valve, Fuel Shut-off	x	x	x	x	x
8	48059-01	Clamp, Fuel Hose	x	x	x	x	x
9	48058	Fuel Hose, 1/4 ID x 23"	x	x			
	48058	Fuel Hose, 1/4 ID x 18"			x		
	48058	Fuel Hose, 1/4 ID x 11"				x	
	48058	Fuel Hose, 1/4 ID x 26"					x
10	48028-05	Cable Tie	x	x	x	x	x
11	04003-11	Carriage Bolt, 3/8-16 X 1-1/4"	x	x	x	x	x
12	423748	Brace, (16" Small Frame)	x	x	x	x	x
12A	423749	Brace, (20" Large Frame)		x			
13	04043-04	Flat Washer .391 x .938 x .105	x	x	x	x	x
14	04021-09	Nut, 3/8-16 Elastic Stop	x	x	x	x	x
15	04021-08	Nut, 1/4-20 Elastic Stop	x	x	x	x	x
16	461745	Engine Deck, 16" Wide, w/decals	x	x	x	x	x
16A	461748	Engine Deck, 20" Wide, w/decals		x	x		
17	04003-09	Bolt, 1/4-20 x 1-1/4" Carriage	x	x	x	x	x
18	04001-17	Bolt, 5/16-18 x 2" Hex Head	x	x	x	x	x
19	04019-03	Nut, 5/16-18 Serr. Flange	x	x	x	x	x
20	482902	Manifold, Exhaust					x
21	482903	Clamp, Muffler					x
22	04021-10	Nut, 5/16-18 Elastic Stop	x	x	x	x	x
23	04003-04	Carriage Bolt, 5/16-18 x 1"	x	x	x	x	x
24	48030-09	Clamp	x	x	x	x	x
25	421370	Clutch Bracket	x	x	x	x	x
26	04017-19	CapScrw, 5/16-18 x 1.50" Sr. Flg	x	x	x	x	x
27	481717	Wire Hrns. Adapter, 15KA, 17KA & 19 KAI	x	x	x		
28	45418	Pulley Guard, 16" Frame	x	x	x	x	x
28A	45419	Pulley Guard, 20" Frame		x	x		
29	423972	Heatshield (16" Small Frame)	x	x	x	x	x
29A	422882	Heatshield (20" Large Frame)		x			
30	04017-19	Bolt, 5/16-18 x 1" Serrated Flange Hex Head	x	x	x	x	x
31	04030-03	Lock Washer 5/16"	x	x	x	x	x
32	***	Rectifier (Purchase from Honda, p/n 31750-769-751)					x
33	423943	Mounting Bracket, Rectifier					x
34	04003-06	Bolt, 1/4-20 x 1" Carriage					x
35	482901	Muffler					x

ENGINE DECK - ELECTRIC START

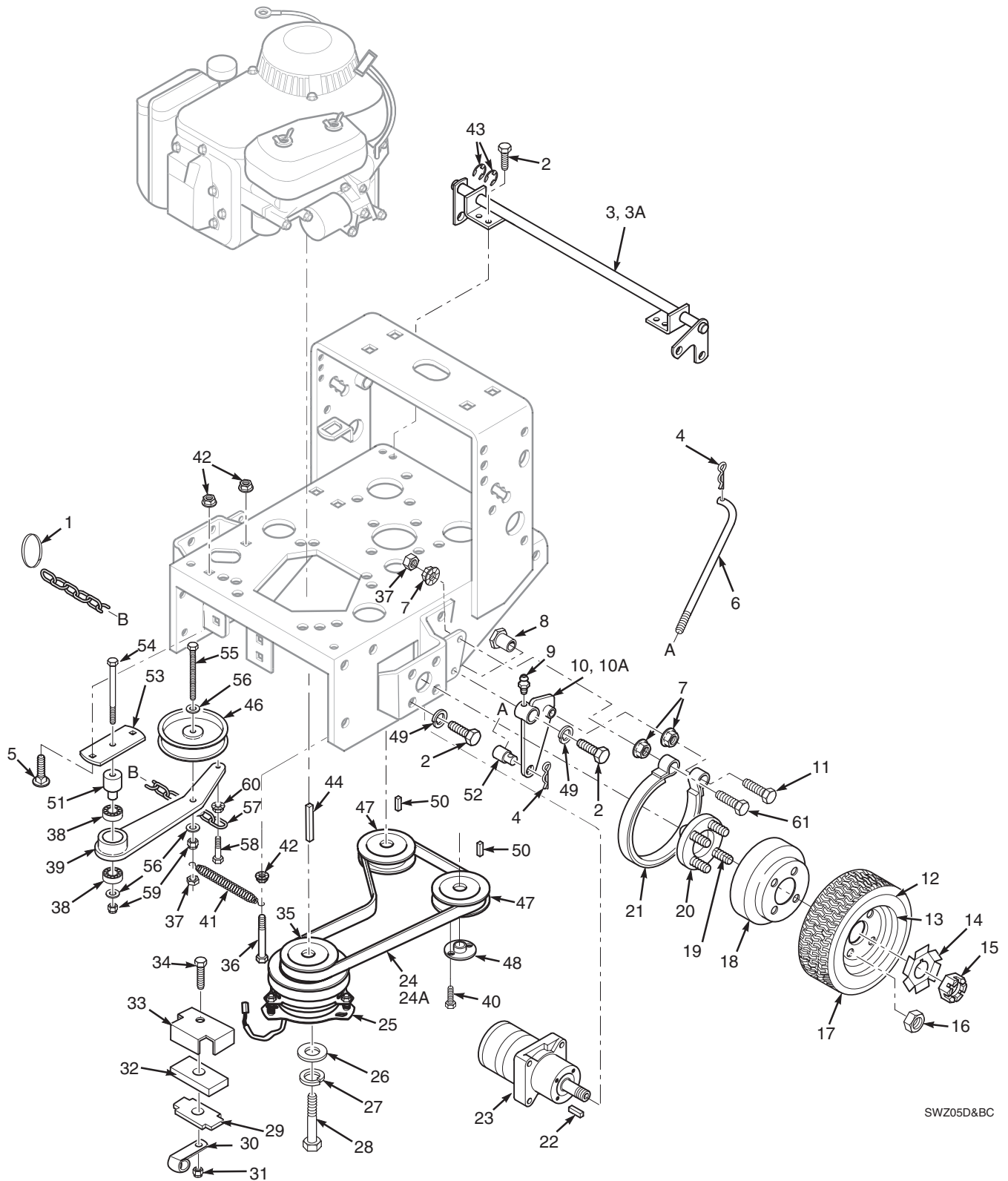


SWZ 05 EDELCT

ENGINE DECK - ELECTRIC START

Ref. No.	Part No.	Description	17KAE	21KAE
1	482145	Engine, 17KAE Kawasaki	x	
1A	481964	Engine, 21KAE Kawasaki		x
2	04040-15	Flatwasher, 5/16 (.375 x 875 x .083)	x	x
3	04001-09	Capscrew, 5/16-18 x 1" Hex Head	x	x
4	482547	Cap, Fuel Tank	x	x
5	461729	Fuel Tank Assy. (incl. 6, 7)	x	x
6	48309	Bushing	x	x
7	48308	Valve, Fuel Shut-off	x	x
8	48059-01	Clamp, Fuel Hose	x	x
9	48058	Fuel Hose, 1/4 ID x 20"	x	x
10	48028-05	Cable Tie	x	x
11	**	Battery (Not Available Through Scag)	x	x
12	04001-44	Bolt, 1/4-20 x .50"	x	x
13	04020-02	Nut, 1/4-20	x	x
14	48099	Pad	x	x
15	42392	Battery Cover	x	x
16	04029-01	Wing Nut, 1/4-20	x	x
17	423746	Battery Support	x	x
18	48661	Pad, Rubber	x	x
19	04003-01	Bolt, 1/4-20 x 6" Carriage	x	x
20	04003-11	Carriage Bolt, 3/8-16 X 1-1/4"	x	x
21	423748	Brace, (16" Small Frame)	x	x
21A	423749	Brace, (20" Large Frame)		x
22	04043-04	Flat Washer .391 x .938 x .105	x	x
23	04021-09	Nut, 3/8-16 Elastic Stop	x	x
24	461745	Engine Deck, 16" Wide, w/decals	x	
24A	461748	Engine Deck, 20" Wide, w/decals		x
25	04001-17	Bolt, 5/16-18 x 2" Hex Head	x	x
26	04019-03	Nut, 5/16-18 Serr. Flange	x	x
27	04001-08	Hex Head Bolt, 5/16-18 x .75"	x	x
28	04021-10	Nut, 5/16-18 Elastic Stop	x	x
29	04003-04	Carriage Bolt, 5/16-18 x 1"	x	x
30	48030-09	Clamp	x	x
31	421370	Clutch Bracket	x	x
32	04017-19	CapScrw, 5/16-18 x 1.50" Sr. Fig.	x	x
33	45418	Pulley Guard, 16" Frame	x	
33A	45419	Pulley Guard, 20" Frame		x
34	48029-02	Battery Cable, 31.5" Red	x	x
35	48029-14	Battery Cable, 31.5" Black	x	x
36	423308	Battery Box	x	x
37	48126	Rubber Boot	x	x
38	04003-12	Carriage Bolt, 5/16-18 x .75"	x	x
39	423972	Heatshield (16" Small Frame)	x	
39A	422882	Heatshield (20" Large Frame)		x
40	04017-19	Bolt, 5/16-18 x 1" Sr. Fig. Hex Head	x	x
41	04030-03	Lock Washer 5/16"	x	x

DRIVE AND BRAKE COMPONENTS



SWZ05D&BC

DRIVE AND BRAKE COMPONENTS

Ref. No.	Part. No.	Description	17KA					
			15KA	19KAI	17KAE	21KAE	18KH	18HN
1	481876	Ring, Split	x	x	x	x	x	x
2	04001-19	Bolt, 3/8-16 x 1" Hex Head	x	x	x	x	x	x
3	45842	Brake Shaft Assembly Weldment (16" Small Frame)	x	x	x		x	x
3A	45854	Brake Shaft Assembly Weldment (20" Large Frame)		x		x		
4	04062-01	Hair Pin Cotter, .094 x 1.62	x	x	x	x	x	x
5	04003-12	Carrage Bolt, 5/16-18 x .75"	x	x	x	x	x	x
6	44126	Rod, Brake Lower	x	x	x	x	x	x
7	04019-04	Nut, 3/8-16 Serr. Flange	x	x	x	x	x	x
8	43415	Bushing, Brake	x	x	x	x	x	x
9	48114-05	Grease Fitting	x	x	x	x	x	x
10	45860	Brake Actuator Wlmt., LH	x	x	x	x	x	x
10A	45861	Brake Actuator Wlmt., RH	x	x	x	x	x	x
11	04001-46	Bolt, 3/8-16 x 2-1/4"	x	x	x	x	x	x
12	481618	Tire, 16 x 6.50, 4 ply	x	x	x	x	x	x
13	481890	Rim Assy	x	x	x	x	x	x
14	422214	Lock Washer, Wheel Motor	x	x	x	x	x	x
15	48679	Hex Castle Nut, 3/4-28 UNEF	x	x	x	x	x	x
16	04028-02	Nut, Lug	x	x	x	x	x	x
17	481502	Wheel Assy., (incl. 12,13)	x	x	x	x	x	x
18	422215	Brake Drum	x	x	x	x	x	x
19	04008-01	1/2-20 Serrated Bolt	x	x	x	x	x	x
20	46928	Hub, Wheel	x	x	x	x	x	x
21	481470	Brake Band, 7.5"	x	x	x	x	x	x
22	04063-07	Key, 3/16 X .75 Woodruff	x	x	x	x	x	x
23	481416	Wheel Motor	x	x	x	x	x	x
24	48553	Belt, Pump Drive (16" Small Frame)	x	x	x		x	x
24A	48587	Belt, Pump Drive (20" Large Frame)		x		x		
25	461397	Electric Clutch	x	x	x	x	x	x
26	04041-28	Flat Washer .469 x 1.75 x .25	x	x	x	x	x	x
27	04030-05	Lock Washer, 7/16	x	x	x	x	x	x
28	04102-05	Hex Head Bolt, 7/16-20 x 2-3/4"	x	x	x	x	x	x
29	422534	Plate, Backing	x	x	x	x	x	x
30	48030-09	Clamp	x	x	x	x	x	x
31	04021-10	Nut, 5/16-18 Elastic Stop	x	x	x	x	x	x
32	481716	Rubber Pad, Clutch Stop	x	x	x	x	x	x
33	422533	Retainer, Clutch Stop	x	x	x	x	x	x
34	04001-12	Hex Head Bolt, 5/16-18 x 1.75"	x	x	x	x	x	x
35	482755	Pulley, Pump Drive Engine	x	x	x	x	x	x
36	04001-13	Hex Head Bolt, 5/16-18 x 2.75"	x	x	x	x	x	x
37	04021-05	Nut, 3/8-16 Center Lock	x	x	x	x	x	x
38	48224	Ball Bearings	x	x	x	x	x	x
39	461783	Idler Arm Weldment, Pump (incl. 38)	x	x	x	x	x	x
40	04001-172	Bolt, Hex Head 1/4-20 x 1" Grd 8	x	x	x	x	x	x
41	481835	Spring, Pump Belt Idler	x	x	x	x	x	x
42	04019-03	Nut, 5/16-18 Serr. Flange	x	x	x	x	x	x
43	04050-02	Retaining Ring, 3/4" Ext. "E"	x	x	x	x	x	x
44	04063-29	Key, 1/4x1/4 x 3.75"	x	x	x	x	x	x
45	04041-07	Flat Washer, 3/8	x	x	x	x	x	x
46	482306	Pulley, Idler 4.5"	x	x	x	x	x	x
47	482649	Pulley, Pump Shaft	x	x	x	x	x	x
48	482085	Tapered Hub	x	x	x	x	x	x
49	04030-04	Lockwasher, 3/8	x	x	x	x	x	x
50	04063-14	Key, 5.0 x 5.0 x 25mm	x	x	x	x	x	x
51	43504	Pivot, Idler (Long)	x	x	x	x	x	x
52	43032	Swivel Joint	x	x	x	x	x	x
53	422713	Base, Idler Pivot	x	x	x	x	x	x
54	04001-54	Bolt, Hex Head 3/8-16 x 3"	x	x	x	x	x	x
55	04001-161	Bolt, Hex Head 3/8-16 x 2.75"	x	x	x	x	x	x
56	04043-04	Flatwasher 3/8"	x	x	x	x	x	x
57	481873	Chain	x	x	x	x	x	x
58	04001-59	Bolt, Hex Head 1/4-20 x 1.25"	x	x	x	x	x	x
59	04021-09	Nut, Hex Elastic Stop 3/8-16	x	x	x	x	x	x
60	04019-02	Nut, Serrated Flange 1/4-20	x	x	x	x	x	x
61	04001-151	Bolt, Hex Head 3/8-16 x 2.63"	x	x	x	x	x	x

NOTES

- NOTE -

THE FOLLOWING 2 PAGES CONTAIN THE ILLUSTRATED PARTS BREAKDOWN FOR THE HANDLE ASSEMBLY INSTALLED ON MACHINES IN THE FOLLOWING SERIAL NUMBER RANGES.

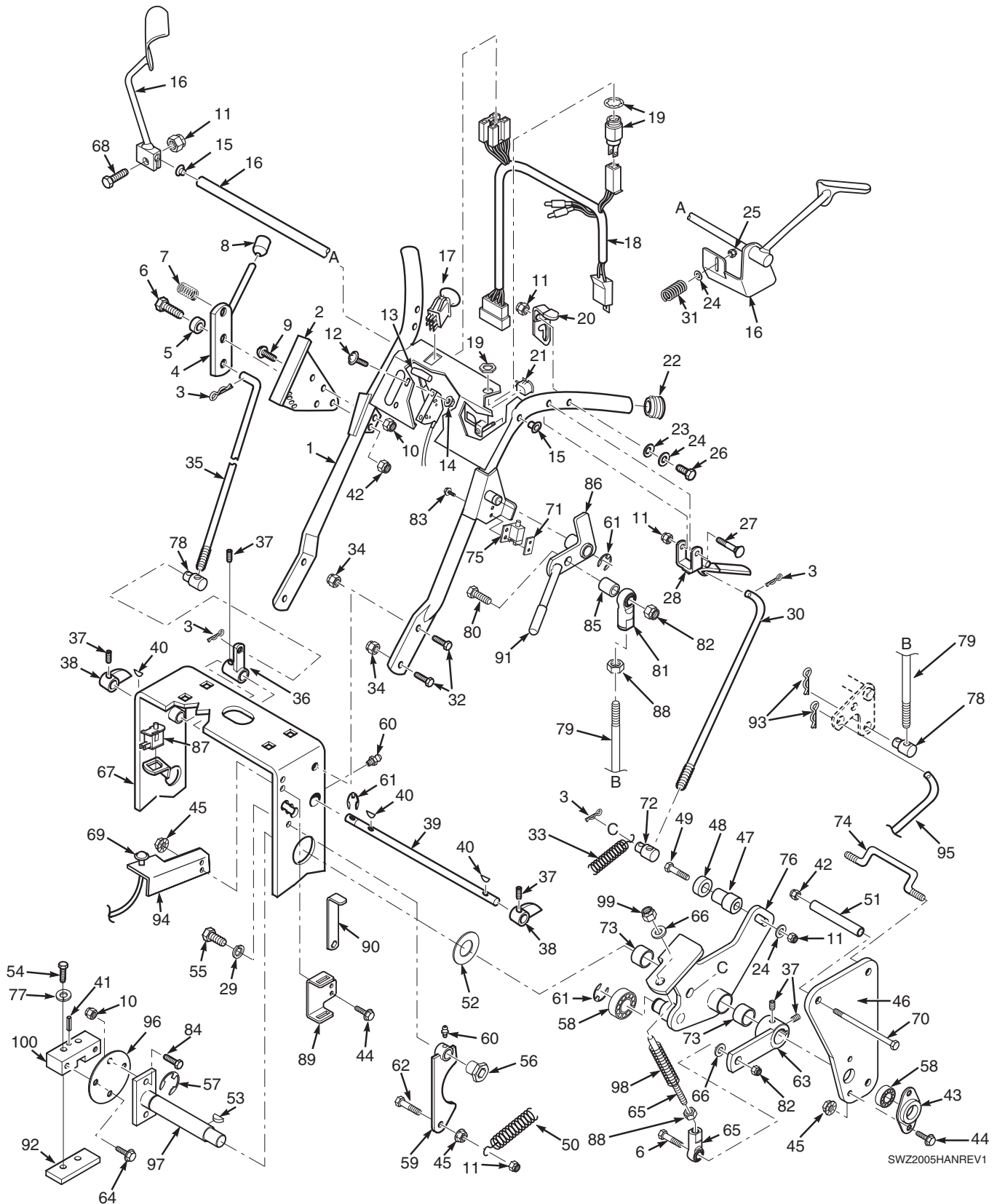
SWZ36A-15KA with a serial number of A1400001 to A1400400

SWZ48A-17KA with a serial number of A1600001 to A1600300

SWZ52A-18KH with a serial number of A2100001 to A2100100

SWZ52A-19KAI with a serial number of A2200001 to A2200200

HANDLE ASSEMBLY *SMALL FRAME (16")



SWZ2005HANREV1

HANDLE ASSEMBLY *SMALL FRAME (16")

Ref. No.	Part No.	Description	15KA			Ref. No.	Part No.	Description	15KA		
			17KA	19KAI	18KH				17KA	19KAI	18KH
1	461781	Upper Handle Wlmt. W/Decals	x	x	x	52	04041-08S	Flat Wshr., .766 x 1.25 x .035	x	x	x
2	42675	Quadrant, Speed Control	x	x	x	53	04063-07	Key, Woodruff, 3/16 x .75"	x	x	x
3	04062-02	Hairpin, .094 x 1.19	x	x	x	54	04001-59	Bolt, Hex Head, 1/4-20 x 1.25	x	x	x
4	45282	Lever, Speed Adjustment	x	x	x	55	04001-19	Bolt, Hex Head 3/8-16 x 1"	x	x	x
5	43086	Bushing, Speed Adjustment Lever	x	x	x	56	43415	Bushing, Brake	x	x	x
6	04001-20	Hex Head Bolt, 3/8-16 x 1.5"	x	x	x	57	04050-02	Clip, Retaining .750 diameter	x	x	x
7	48493-01	Ball Plunger	x	x	x	58	48224	Bearing, Ball Neutral Return	x	x	x
8	48092	Knob, Speed Adjustment	x	x	x	59	46747	Cam, Neutral (incl. grease ftng.)	x	x	x
9	04014-01	Capscrew, 1/4-20 x 3/4" FHHS	x	x	x	60	48114-05	Grease Fitting, 1/4-28 UNF	x	x	x
10	04021-08	Nut, 1/4-20 Elastic Stop	x	x	x	61	04050-01	Retaining Ring, 5/8"	x	x	x
11	04021-10	Nut, 5/16-18 Elastic Stop	x	x	x	62	04001-09	Hex Head Bolt, 5/16-18 x 1"	x	x	x
12	04010-01	Screw, #10-32 x 1/2" PW HD	x	x	x	63	482146	Lever, Speed Control	x	x	x
13	48946	Throttle Control	x	x		64	04017-05	Bolt, Hex Head 1/4-20 x.75"	x	x	x
	482814	Throttle Control			x	65	482431	Linkage Assembly	x	x	x
14	04019-01	Nut, #10-32 Serr. Flange	x	x	x	66	04041-07	Flat Wshr., 15/16 x .3906 x 12 ga	x	x	x
15	48312	Bushing	x	x	x	67	461745	Deck, Engine 16" Wide	x	x	x
16	451691	Handle, Oper. Presence-RH	x	x	x	68	04001-10	Hex Head Bolt, 5/16-18 x 1.25"	x	x	x
	451689	Handle, Oper. Presence-LH	x	x	x	69	482314	Choke Control	x	x	
17	481687	Switch, Electric Clutch Engage	x	x	x	70	04001-152	Bolt, Hex Head 3/8-16 x 4.25"	x	x	x
18	482686	Wire Harness, Manual Start	x	x	x	71	422373	Plate, Threaded	x	x	x
19	48609	Key Switch, Manual Srt. (inc. Hdw)	x	x	x	72	43520	Swivel Joint, Steering Rod	x	x	x
20	461242	Neutral Latch-RH	x	x	x	73	48100-06	Bushing	x	x	x
	461241	Neutral Latch-LH	x	x	x	74	44144	Rod, Offset	x	x	x
21	48717	Switch, Neutral Interlock	x	x	x	75	481545	Switch, Parking Brake	x	x	x
22	483041	Plug, Handlebar	x	x	x	76	461481	Control, LH (inc. bush. & decal)	x	x	x
23	04032-01	Washer, Curved Spring	x	x	x		461482	Control, RH (inc. bush. & decal)	x	x	x
24	04040-15	Flat Washer	x	x	x	77	04030-02	Lockwasher, 1/4"	x	x	x
25	04021-10	Nut, 5/16-18 Elastic Stop	x	x	x	78	43032	Swivel Joint	x	x	x
26	04001-17	Hex Head Bolt, 5/16-18 x 2"	x	x	x	79	44143	Rod, Brake Lever	x	x	x
27	04001-53	Hex Hd. Bolt, 5/16-18 x 2.5"	x	x	x	80	04001-45	Hex Hd. Bolt, 3/8-16 x 2.00"	x	x	x
28	483042	Lever, Steering Control	x	x	x	81	48464	Ball Joint, RH Thread	x	x	x
29	04030-04	Lockwasher, 3/8 Spring	x	x	x	82	04021-09	Nut, 3/8-16 Elastic Stop	x	x	x
30	44141	Rod, Steering Control	x	x	x	83	04010-12	Screw #10-32 Sltd Hex Wshr Hd	x	x	x
31	483040	Spring, Operator Presence	x	x	x	84	04001-01	Bolt, 1/4-20 x .75"	x	x	x
32	04017-27	Capscr., 3/8-16 x 1" Ser. Flange	x	x	x	85	43286	Spacer	x	x	x
33	482348	Spring	x	x	x	86	461605	Parking Brake Lever with Grip	x	x	x
34	04019-04	Nut, 3/8-16 Serr. Flange	x	x	x	87	48717	Switch, Safety	x	x	x
35	44142	Rod Speed Control	x	x	x	88	04020-14	Nut, 3/8-24	x	x	x
36	451562	Bellcrank, Speed Control	x	x	x	89	423876	Mounting Bracket, Wrench	x	x	x
37	04012-02	Setscrew, 1/4-28 x .25"	x	x	x	90	423875	Wrench	x	x	x
38	46335	Cam, Speed Control (incl. SS)	x	x	x	91	48342	Grip, Parking Brake	x	x	x
39	43166	Jackshaft, Speed Control	x	x	x	92	421203	Plate, Threaded	x	x	x
40	04063-13	Key, 1/8 x 1/2" Woodruff	x	x	x	93	04062-01	Hairpin, .094 x 1.62"	x	x	x
41	04060-06	Roll Pin, 3/16-.75	x	x	x	94	424113	Bracket, Choke Mtg.	x	x	
42	04021-10	Nut, Elastic Stop 3/8-16	x	x	x	95	44126	Rod, Lower Brake	x	x	x
43	48223	Flange, Bearing	x	x	x	96	422273	Plate, Coupler	x	x	x
44	04017-17	Capscrew, 5/16-18 x 1" Serr. Flg.	x	x	x	97	451113	Shaft, Pump Control	x	x	x
45	04019-03	Nut, 5/16-18 Serrated Flange	x	x	x	98	481879	Spring	x	x	x
46	422795	Plate, Side	x	x	x	99	04021-09	Nut, 3/8-16 Elastic Stop	x	x	x
47	43536	Spacer, Neutral Bearing	x	x	x	100	48829	Block, Pump Control	x	x	x
48	48409	Bearing, Speed Ctrl. Bellcrank	x	x	x						
49	04001-69	Hex Head Bolt, 5/16-18 x 1-3/4"	x	x	x						
50	48494-02	Spring, Return	x	x	x						
51	43522	Spacer, Side Plate	x	x	x						

* Measure the width of the engine deck to determine frame size. "Small Frame" is 16" wide.

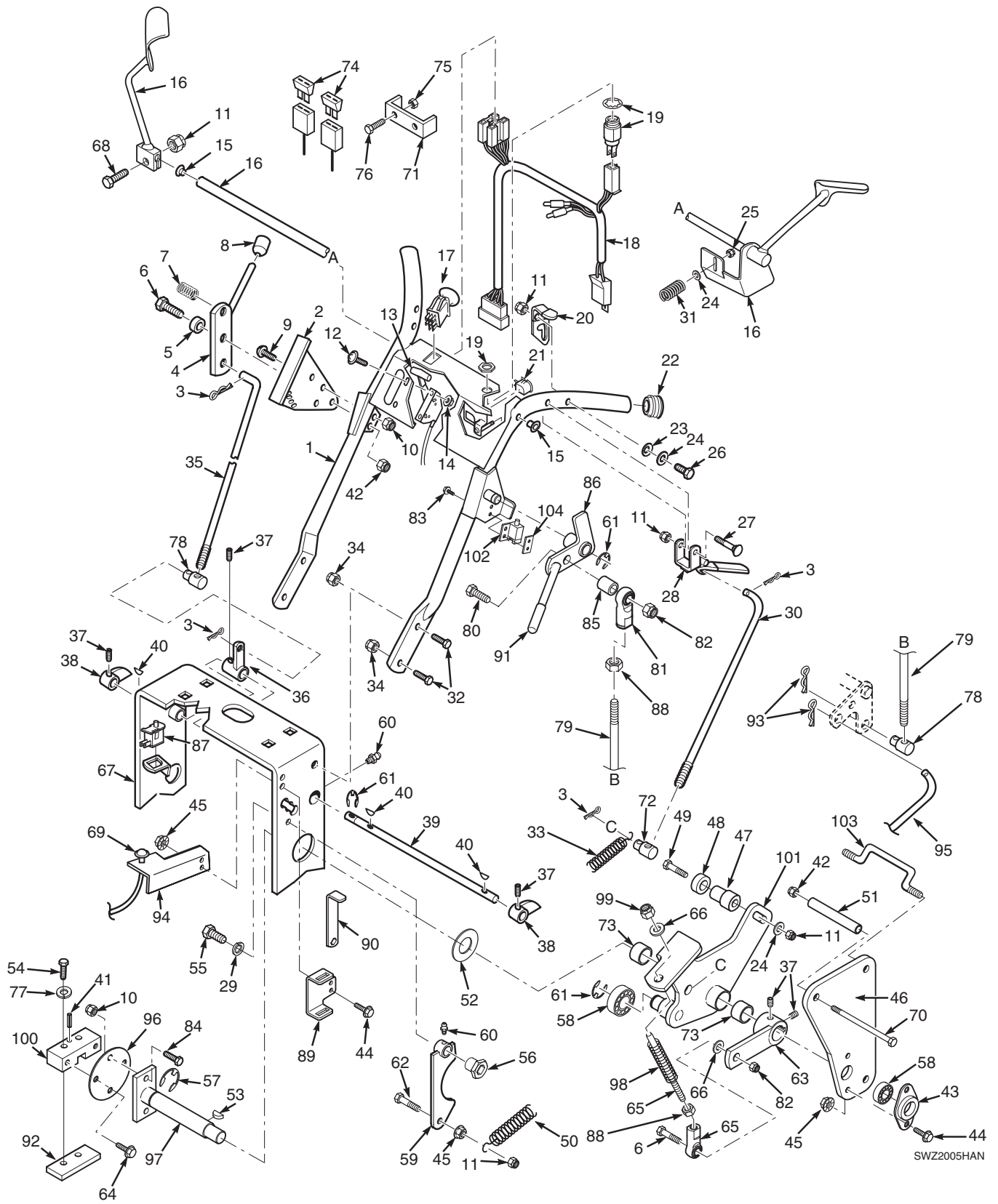
NOTES

- NOTE -

THE FOLLOWING PAGES CONTAIN THE ILLUSTRATED PARTS BREAKDOWN FOR THE HANDLE ASSEMBLY INSTALLED ON MACHINES IN THE FOLLOWING SERIAL NUMBER RANGES.

SWZ36A-15KA	with a serial number of	A1400401 to A1499999
SWZ48A-17KA	with a serial number of	A1600301 to A1699999
SWZ48A-17KAE	with a serial number of	A1700001 to A1799999
SWZ48A-18HN	with a serial number of	A1800001 to A1899999
SWZ52A-17KA	with a serial number of	A1900001 to A1999999
SWZ52A-18HN	with a serial number of	A2000001 to A2099999
SWZ52A-18KH	with a serial number of	A2100101 to A2199999
SWZ52A-19KAI	with a serial number of	A2200201 to A2299999
SWZ-17KA	with a serial number of	A3100001 to A3199999
SWZ-19KAI	with a serial number of	A3200001 to A3299999
SWZ-21KAE	with a serial number of	A3300001 to A3399999

HANDLE ASSEMBLY *SMALL FRAME (16")

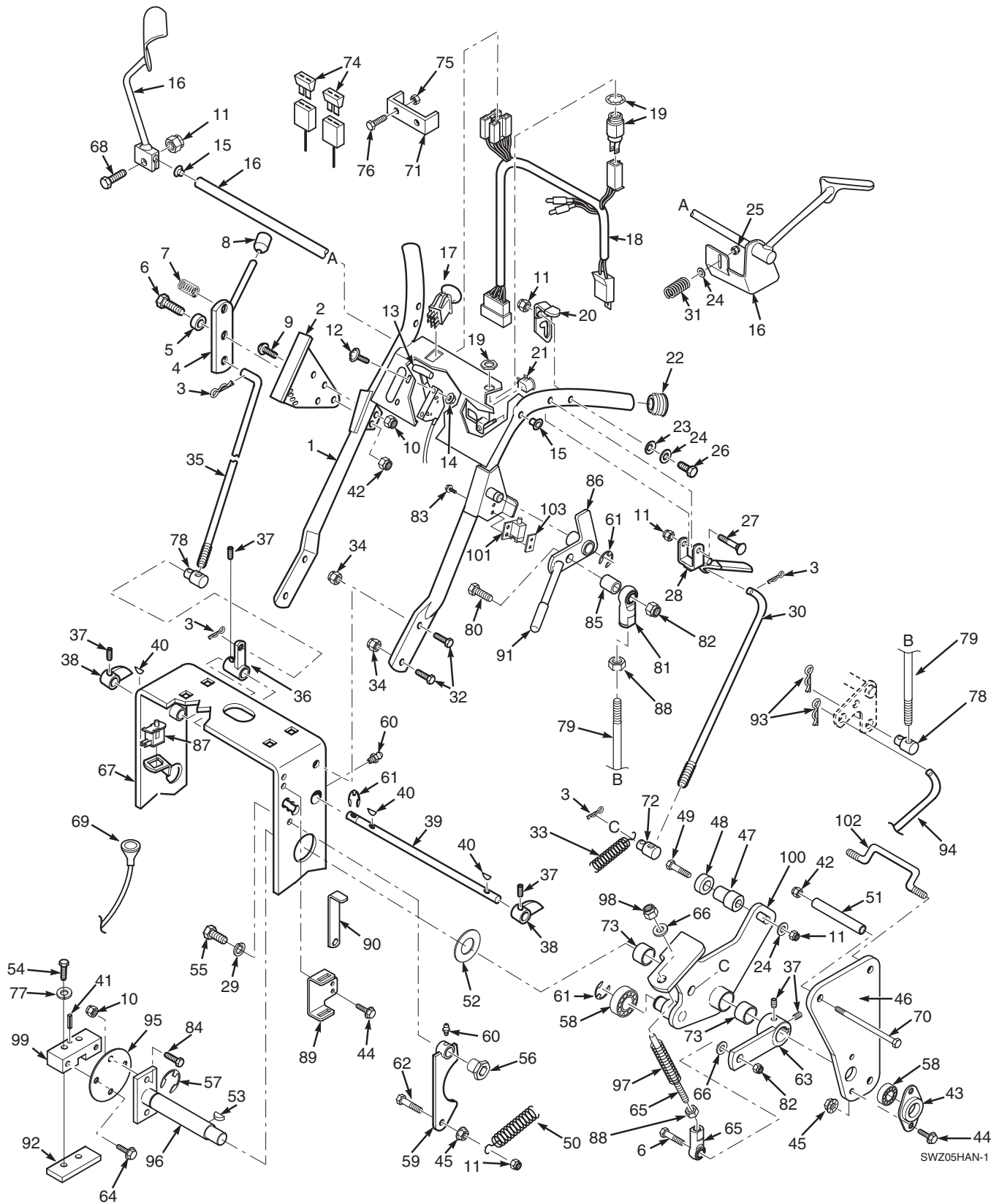


HANDLE ASSEMBLY *SMALL FRAME (16")

Ref. No.	Part No.	Description	15 & 17KA			Ref. No.	Part No.	Description	15 & 17KA		
			19KAI	18HN	17KAE				18KH	19KAI	18HN
1	461839	Upper Handle W/mt. W/Decals	x	x	x	56	43415	Bushing, Brake	x	x	x
2	42675	Quadrant, Speed Control	x	x	x	57	04050-02	Clip, Retaining .750 diameter	x	x	x
3	04062-02	Hairpin, .094 x 1.19	x	x	x	58	48224	Bearing, Ball Neutral Return	x	x	x
4	45282	Lever, Speed Adjustment	x	x	x	59	46747	Cam, Neutral (incl. grease ftng.)	x	x	x
5	43086	Bushing, Speed Adjustment Lever	x	x	x	60	48114-05	Grease Fitting, 1/4-28 UNF	x	x	x
6	04001-20	Hex Head Bolt, 3/8-16 x 1.5"	x	x	x	61	04050-01	Retaining Ring, 5/8"	x	x	x
7	48493-01	Ball Plunger	x	x	x	62	04001-09	Hex Head Bolt, 5/16-18 x 1"	x	x	x
8	48092	Knob, Speed Adjustment	x	x	x	63	482146	Lever, Speed Control	x	x	x
9	04014-01	Capscrew, 1/4-20 x 3/4" FHHS	x	x	x	64	04017-05	Bolt, Hex Head 1/4-20 x.75"	x	x	x
10	04021-08	Nut, 1/4-20 Elastic Stop	x	x	x	65	482431	Linkage Assembly	x	x	x
11	04021-10	Nut, 5/16-18 Elastic Stop	x	x	x	66	04041-07	Flat Wshr., 15/16 x .3906 x 12 ga	x	x	x
12	04010-01	Screw, #10-32 x 1/2" PW HD	x	x	x	67	461745	Deck, Engine 16" Wide	x	x	x
13	48946	Throttle Control	x	x		68	04001-10	Hex Head Bolt, 5/16-18 x 1.25"	x	x	x
	482814	Throttle Control			x	69	482314	Choke Control	x	x	
14	04019-01	Nut, #10-32 Serr. Flange	x	x	x	70	04001-152	Bolt, Hex Head 3/8-16 x 4.25"	x	x	x
15	483142	Bushing	x	x	x	71	42413	Fuse Holder		x	
16	451759	Handle, Oper. Presence-RH	x	x	x	72	43520	Swivel Joint, Steering Rod	x	x	x
	451757	Handle, Oper. Presence-LH	x	x	x	73	48100-06	Bushing	x	x	x
17	481687	Switch,Elec.Clutch Eng. (incl.Nut)	x	x	x	74	48298	Blade Fuse, 20A		x	
18	482686	Wire Harness, Manual Start	x		x	75	04021-01	Nut, #10-32 Elastic Stop		x	
	482687	Wire Harness, Electric Start			x	76	04010-03	Screw, #10-32 x 1.5" Phillips		x	
19	48609	Key Switch, Manual Srt. (inc. Hdw)	x		x	77	04030-02	Lockwasher, 1/4"	x	x	x
	48798	Key Switch, Electric Srt. (inc. Hdw)				78	43032	Swivel Joint	x	x	x
20	461242	Neutral Latch-RH	x	x	x	79	44143	Rod, Brake Lever	x	x	x
	461241	Neutral Latch-LH	x	x	x	80	04001-45	Hex Hd. Bolt, 3/8-16 x 2.00"	x	x	x
21	48717	Switch, Neutral Interlock	x	x	x	81	48464	Ball Joint, RH Thread	x	x	x
22	483161	Plug, Handlebar	x	x	x	82	04021-09	Nut, 3/8-16 Elastic Stop	x	x	x
23	04032-01	Washer, Curved Spring	x	x	x	83	04010-12	Screw #10-32 Sstd Hex Wshr Hd	x	x	x
24	04040-15	Flat Washer	x	x	x	84	04001-01	Bolt, 1/4-20 x .75"	x	x	x
25	04021-10	Nut, 5/16-18 Elastic Stop	x	x	x	85	43286	Spacer	x	x	x
26	04001-17	Hex Head Bolt, 5/16-18 x 2"	x	x	x	86	461605	Parking Brake Lever with Grip	x	x	x
27	04001-53	Hex Hd. Bolt, 5/16-18 x 2.5"	x	x	x	87	48717	Switch, Safety	x	x	x
28	483042	Lever, Steering Control	x	x	x	88	04020-14	Nut, 3/8-24	x	x	x
29	04030-04	Lockwasher, 3/8 Spring	x	x	x	89	423876	Mounting Bracket, Wrench	x	x	x
30	44141	Rod, Steering Control	x	x	x	90	423875	Wrench	x	x	x
31	483040	Spring, Operator Presence	x	x	x	91	48342	Grip, Parking Brake	x	x	x
32	04017-27	Capscr., 3/8-16 x 1" Ser. Flange	x	x	x	92	421203	Plate, Threaded	x	x	x
33	482348	Spring	x	x	x	93	04062-01	Hairpin, .094 x 1.62"	x	x	x
34	04019-04	Nut, 3/8-16 Serr. Flange	x	x	x	94	424113	Bracket, Choke Mtg.	x	x	
35	44142	Rod Speed Control	x	x	x	95	44126	Rod, Lower Brake	x	x	x
36	451562	Bellcrank, Speed Control	x	x	x	96	422273	Plate, Coupler	x	x	x
37	04012-02	Setscrew, 1/4-28 x .25"	x	x	x	97	451113	Shaft, Pump Control	x	x	x
38	46335	Cam, Speed Control (incl. SS)	x	x	x	98	481879	Spring	x	x	x
39	43166	Jackshaft, Speed Control	x	x	x	99	04021-09	Nut, 3/8-16 Elastic Stop	x	x	x
40	04063-13	Key, 1/8 x 1/2" Woodruff	x	x	x	100	48829	Block, Pump Control	x	x	x
41	04060-06	Roll Pin, 3/16-.75	x	x	x	101	461481	Control, LH (inc. bush. & decal)	x	x	x
42	04021-10	Nut, Elastic Stop 3/8-16	x	x	x		461482	Control, RH (inc. bush. & decal)	x	x	x
43	48223	Flange, Bearing	x	x	x	102	481545	Switch, Parking Brake	x	x	x
44	04017-17	Capscrew, 5/16-18 x 1" Serr. Flg.	x	x	x	103	44144	Rod, Offset	x	x	x
45	04019-03	Nut, 5/16-18 Serrated Flange	x	x	x	104	422373	Plate, Threaded	x	x	x
46	422795	Plate, Side	x	x	x						
47	43536	Spacer, Neutral Bearing	x	x	x						
48	48409	Bearing, Speed Ctrl. Bellcrank	x	x	x						
49	04001-69	Hex Head Bolt, 5/16-18 x 1-3/4"	x	x	x						
50	48494-02	Spring, Return	x	x	x						
51	43522	Spacer, Side Plate	x	x	x						
52	04041-08S	Flat Wshr., .766 x 1.25 x .035	x	x	x						
53	04063-07	Key, Woodruff, 3/16 x .75"	x	x	x						
54	04001-59	Bolt, Hex Head, 1/4-20 x 1.25	x	x	x						
55	04001-19	Bolt, Hex Head 3/8-16 x 1"	x	x	x						

* Measure the width of the engine deck to determine frame size. "Small Frame" is 16" wide.

HANDLE ASSEMBLY *LARGE FRAME (20")



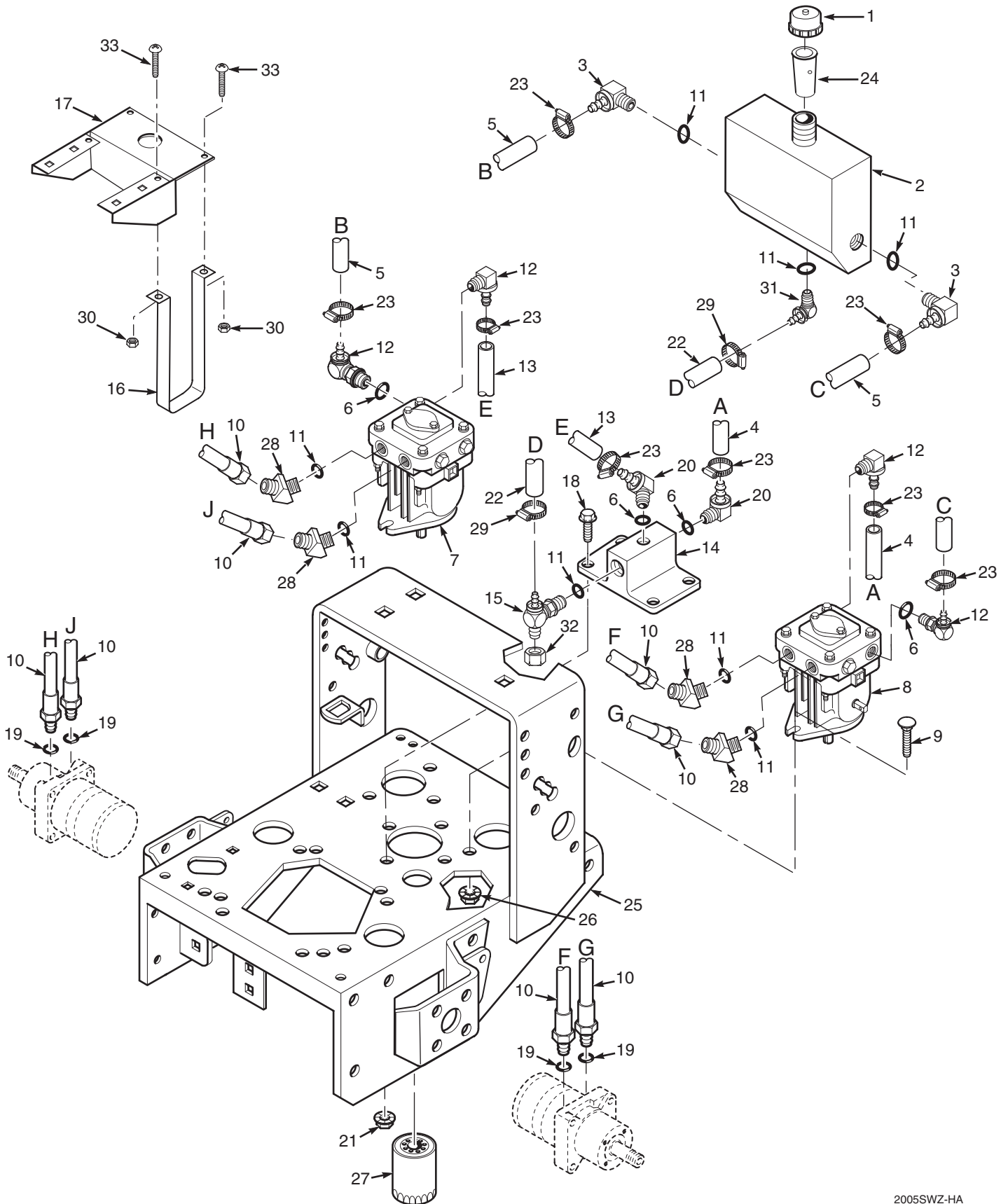
SWZ05HAN-1

HANDLE ASSEMBLY *LARGE FRAME (20")

Ref. No.	Part No.	Description			Ref. No.	Part No.	Description		
			17KA	21KAE				17KA	21KAE
1	461840	Upper Handle W/mt. W/Decals	x	x	56	43415	Bushing, Brake	x	x
2	42675	Quadrant, Speed Control	x	x	57	04050-02	Clip, Retaining .750 diameter	x	x
3	04062-02	Hairpin, .094 x 1.19	x	x	58	48224	Bearing, Ball Neutral Return	x	x
4	45282	Lever, Speed Adjustment	x	x	59	46747	Cam, Neutral (incl. grease ftng.)	x	x
5	43086	Bushing, Speed Adjustment Lever	x	x	60	48114-05	Grease Fitting, 1/4-28 UNF	x	x
6	04001-20	Hex Head Bolt, 3/8-16 x 1.5"	x	x	61	04050-01	Retaining Ring, 5/8"	x	x
7	48493-01	Ball Plunger	x	x	62	04001-09	Hex Head Bolt, 5/16-18 x 1"	x	x
8	48092	Knob, Speed Adjustment	x	x	63	482146	Lever, Speed Control	x	x
9	04014-01	Capscrew, 1/4-20 x 3/4" FHHS	x	x	64	04017-05	Bolt, Hex Head 1/4-20 x.75"	x	x
10	04021-08	Nut, 1/4-20 Elastic Stop	x	x	65	482431	Linkage Assembly	x	x
11	04021-10	Nut, 5/16-18 Elastic Stop	x	x	66	04041-07	Flat Wshr., 15/16 x .3906 x 12 ga	x	x
12	04010-01	Screw, #10-32 x 1/2" PW HD	x	x	67	461748	Deck, Engine 20" Wide	x	x
13	48946	Throttle Control	x	x	68	04001-10	Hex Head Bolt, 5/16-18 x 1.25"	x	x
14	04019-01	Nut, #10-32 Serr. Flange	x	x	69	482314	Choke Control	x	x
15	483142	Bushing	x	x	70	04001-152	Bolt, Hex Head 3/8-16 x 4.25"	x	x
16	451759	Handle, Oper. Presence-RH	x	x	71	42413	Fuse Holder		x
	451758	Handle, Oper. Presence-LH	x	x	72	43520	Swivel Joint, Steering Rod	x	x
17	481687	Switch,Elec.Clutch Eng. (incl.Nut)	x	x	73	48100-06	Bushing	x	x
18	482686	Wire Harness, Manual Start	x		74	48298	Blade Fuse, 20A		x
	482687	Wire Harness, Electric Start		x	75	04021-01	Nut, #10-32 Elastic Stop		x
19	48609	Key Switch, Manual Srt. (inc. Hdw)	x		76	04010-03	Screw, #10-32 x 1.5" Phillips		x
	48798	Key Switch, Electric Srt. (inc. Hdw)		x	77	04030-02	Lockwasher, 1/4"	x	x
20	461242	Neutral Latch-RH	x	x	78	43032	Swivel Joint	x	x
	461241	Neutral Latch-LH	x	x	79	44143	Rod, Brake Lever	x	x
21	48717	Switch, Neutral Interlock	x	x	80	04001-45	Hex Hd. Bolt, 3/8-16 x 2.00"	x	x
22	483161	Plug, Handlebar	x	x	81	48464	Ball Joint, RH Thread	x	x
23	04032-01	Washer, Curved Spring	x	x	82	04021-09	Nut, 3/8-16 Elastic Stop	x	x
24	04040-15	Flat Washer	x	x	83	04010-12	Screw #10-32 Sltd Hex Wshr Hd	x	x
25	04021-10	Nut, 5/16-18 Elastic Stop	x	x	84	04001-01	Bolt, 1/4-20 x .75"	x	x
26	04001-17	Hex Head Bolt, 5/16-18 x 2"	x	x	85	43286	Spacer	x	x
27	04001-53	Hex Hd. Bolt, 5/16-18 x 2.5"	x	x	86	461605	Parking Brake Lever with Grip	x	x
28	483042	Lever, Steering Control	x	x	87	48717	Switch, Safety	x	x
29	04030-04	Lockwasher, 3/8 Spring	x	x	88	04020-14	Nut, 3/8-24	x	x
30	44141	Rod, Steering Control	x	x	89	423876	Mounting Bracket, Wrench	x	x
31	483040	Spring, Handle Return	x	x	90	423875	Wrench	x	x
32	04017-27	Capscr., 3/8-16 x 1" Ser. Flange	x	x	91	48342	Grip, Parking Brake	x	x
33	482348	Spring	x	x	92	421203	Plate, Threaded	x	x
34	04019-04	Nut, 3/8-16 Serr. Flange	x	x	93	04062-01	Hairpin, .094 x 1.62"	x	x
35	44142	Rod Speed Control	x	x	94	44126	Rod, Lower Brake	x	x
36	451562	Bellcrank, Speed Control	x	x	95	422273	Plate, Coupler	x	x
37	04012-02	Setscrew, 1/4-28 x .25"	x	x	96	451113	Shaft, Pump Control	x	x
38	46335	Cam, Speed Control (incl. SS)	x	x	97	481879	Spring	x	x
39	43155	Jackshaft, Speed Control	x	x	98	04021-09	Nut, 3/8-16 Elastic Stop	x	x
40	04063-13	Key, 1/8 x 1/2" Woodruff	x	x	99	48829	Block, Pump Control	x	x
41	04060-06	Roll Pin, 3/16-.75	x	x	100	461481	Control, LH (inc. bush. & decal)	x	x
42	04021-10	Nut, Elastic Stop 3/8-16	x	x		461482	Control, RH (inc. bush. & decal)	x	x
43	48223	Flange, Bearing	x	x	101	481545	Switch, Parking Brake	x	x
44	04017-17	Capscrew, 5/16-18 x 1" Serr. Flg.	x	x	102	44144	Rod, Offset	x	x
45	04019-03	Nut, 5/16-18 Serrated Flange	x	x	103	422373	Plate, Threaded	x	x
46	422795	Plate, Side	x	x					
47	43536	Spacer, Neutral Bearing	x	x					
48	48409	Bearing, Speed Ctrl. Bellcrank	x	x					
49	04001-69	Hex Head Bolt, 5/16-18 x 1-3/4"	x	x					
50	48494-02	Spring, Return	x	x					
51	43522	Spacer, Side Plate	x	x					
52	04041-08S	Flat Wshr., .766 x 1.25 x .035	x	x					
53	04063-07	Key, Woodruff, 3/16 x .75"	x	x					
54	04001-59	Bolt, Hex Head, 1/4-20 x 1.25	x	x					
55	04001-19	Bolt, Hex Head 3/8-16 x 1"	x	x					

* Measure the width of the engine deck to determine frame size. "Large Frame" is 20" wide.

HYDRAULIC ASSEMBLY



HYDRAULIC ASSEMBLY

Ref. No.	Part Number	Description
1	481164	Cap, Oil Reservoir
2	461428	Oil Reservoir (With Fittings)
3	482266-01	Elbow, 9/16 O-Ring x 3/8 Hose
4	48811	Hose, 3/8" ID - 10-1/4" Long (Order By The Inch)
5	48811	Hose, 3/8" ID - 7" Long (Order By The Inch)
6	48603-06	O-Ring
7	483097	Pump, PG-1JQQ-DY1X-XXXX (R.H.)
8	483098	Pump, PG-1GQQ-DY1X-XXXX (L.H.)
9	04003-11	Bolt, Carriage, 3/8-16 x 1.25"
10	481265	Hose, Pump to Wheel Motor
11	48603-02	O-Ring
12	482266-03	Elbow, 7/16-20 O-Ring x 3/8 Hose
13	48811	Hose, 3/8" ID - 8-1/4" Long (Order By The Inch)
14	482417	Oil Filter Base
15	482477	Tee, 3/8 O-Ring x JIC x 1/2 Hose
16	422794	Strap, Hydraulic Tank
17	422793	Bracket, Hydraulic Tank
18	04017-16	Capscrew, 5/16-18 x .75" Serr. Flange
19	48603-04	O-Ring
20	482266-01	Elbow, 9/16 O-Ring x 3/8 Hose
21	04019-03	Nut, 5/16-18 Serr. Flange
22	482305	Hose, Formed 1/2" ID
23	48136-13	Clamp, .69 max dia.
24	481507	Tube, Filler Neck
25	461745	Engine Deck (16" Wide) W/Decals - Small Frame
	461748	Engine Deck (20" Wide) W/Decals - Large Frame
26	04019-04	Nut, 3/8-16 Serr. Flange
27	48462-01	Oil Filter
28	48485-01	Elbow, 45 Deg.-3/4-16 JIC Male x Male 3/4-16 O-Ring
29	48136-05	Clamp, .87 max di.
30	04021-08	Nut, 1/4-20
31	482202	Elbow, 3/4-16 O-Ring x 1/2 Hose
32	48571-02	Cap, 3/4-16
33	04010-10	Screw, 1/4-20 x 2.0" Round Head Phillips

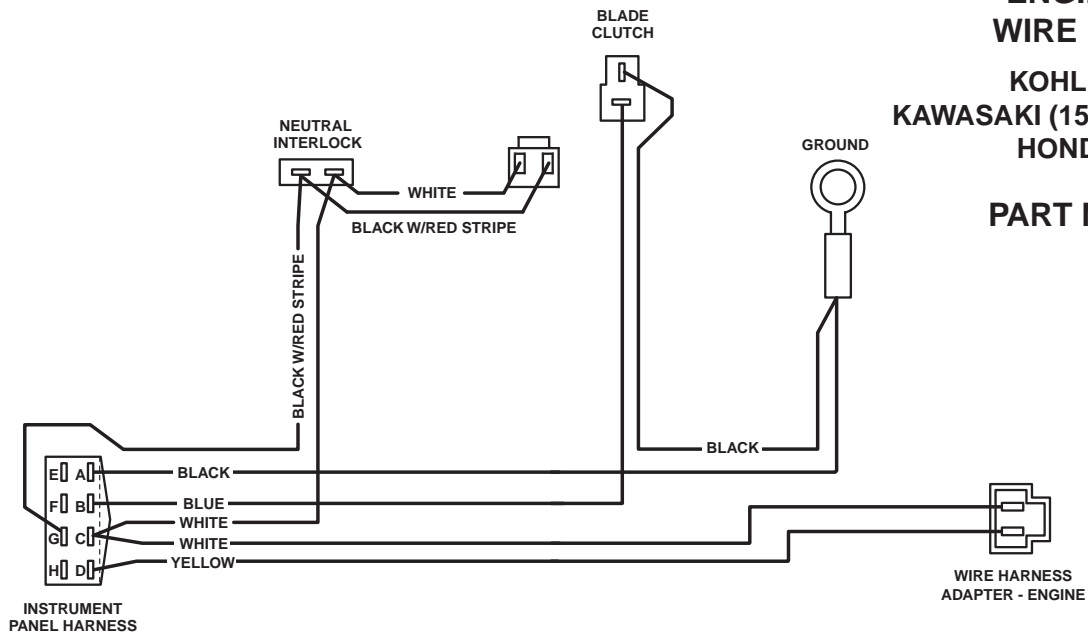
HYDRAULIC PUMP ASSEMBLY

Ref. No.	Part Number	Description
1	HG 70516	Housing Kit
2	HG 70573	End Cap Kit
3	HG 50641	Straight Headless Pin
4	HG 50969	Hex Flange Bolt, M8-1.25 x 60mm
5	HG 51232	Housing O-Ring
6	HG 2513027	Charge Pump Kit
7	HG 50273	Gerotor Assembly
8	HG 9004101-1340	O-Ring
9	HG 50095	Socket Head Screw, M6 x 1.0-20mm
10	HG 2513030	Bypass Valve Kit
11	HG 70521	Pumpshaft Kit
12	HG 50315	Ball Bearing, 17 x 40 x 12
13	HG 51161	Lip Seal
14	HG 50329	Retaining Ring
15	HG 50951	Spacer
16	HG 70331	Cylinder Block Kit
17	HG 2003014	Block Spring
18	HG 2003017	Block Thrust Washer
19	HG 51444	Valve Plate
20	HG 2003087	Swash Plate
21	HG 50551	Ball Thrust Bearing
22	HG 2003005	Trunnion Arm
23	HG 2000015	Slot Guide
24	HG 2510062	Check Valve Kit (.024" Orifice) port "A" on Left Hand Pump, port "B" on Right Hand Pump
25	HG 70403	Charge Relief Kit
26	HG 2513043	Trunnion Seal with Retainer
27	HG 9005110-4400	Straight Thread Plug
28	HG 50408	Straight Headless Pin
29	HG 70525	Overhaul Seal Kit

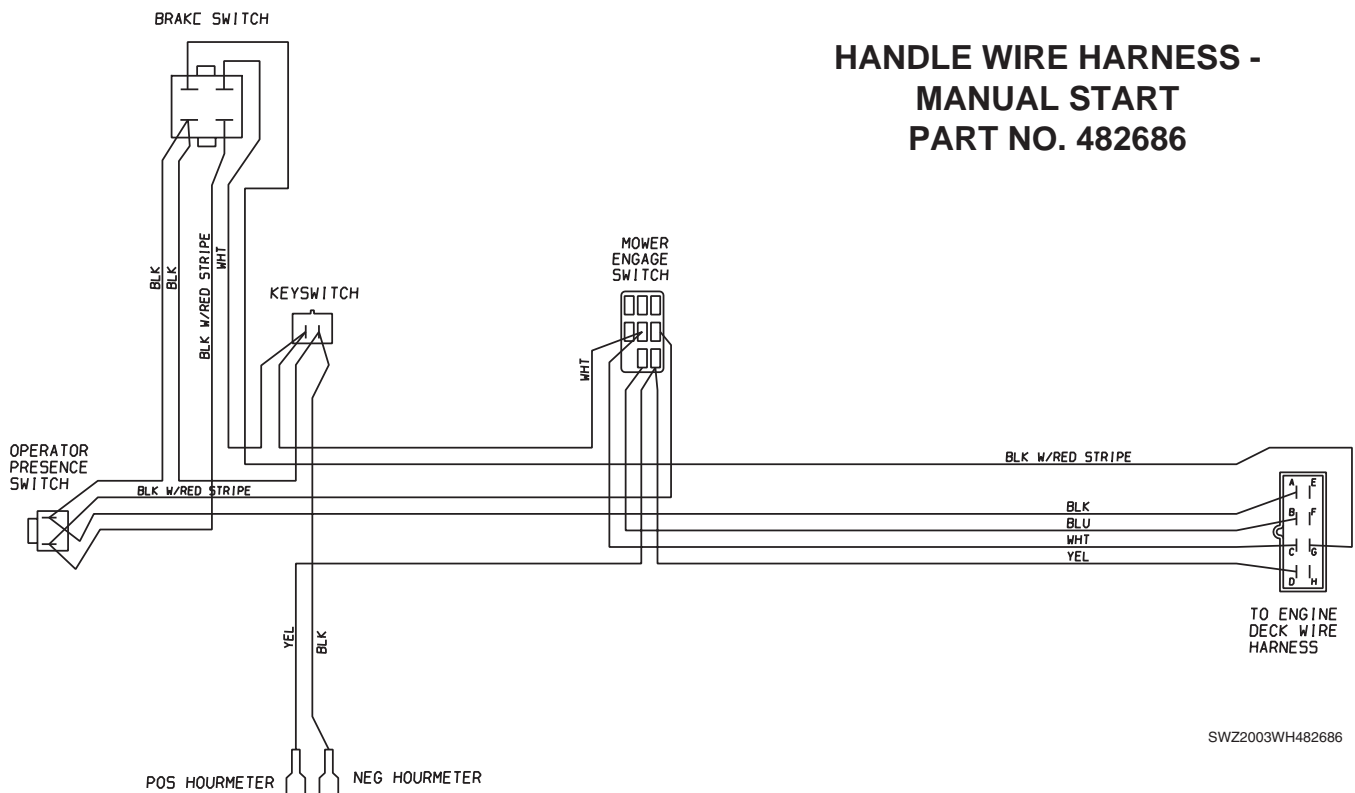
ENGINE DECK WIRE HARNESS

KOHLER (18 HP)
KAWASAKI (15 HP, 17 HP & 19 HP)
HONDA (18 HP)

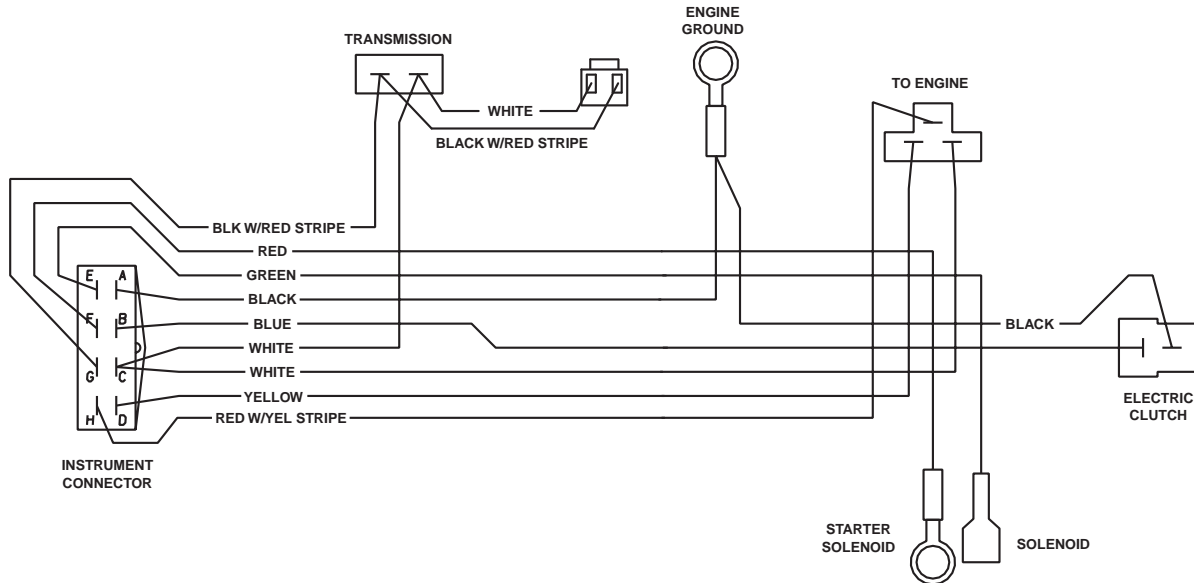
PART NO. 483075



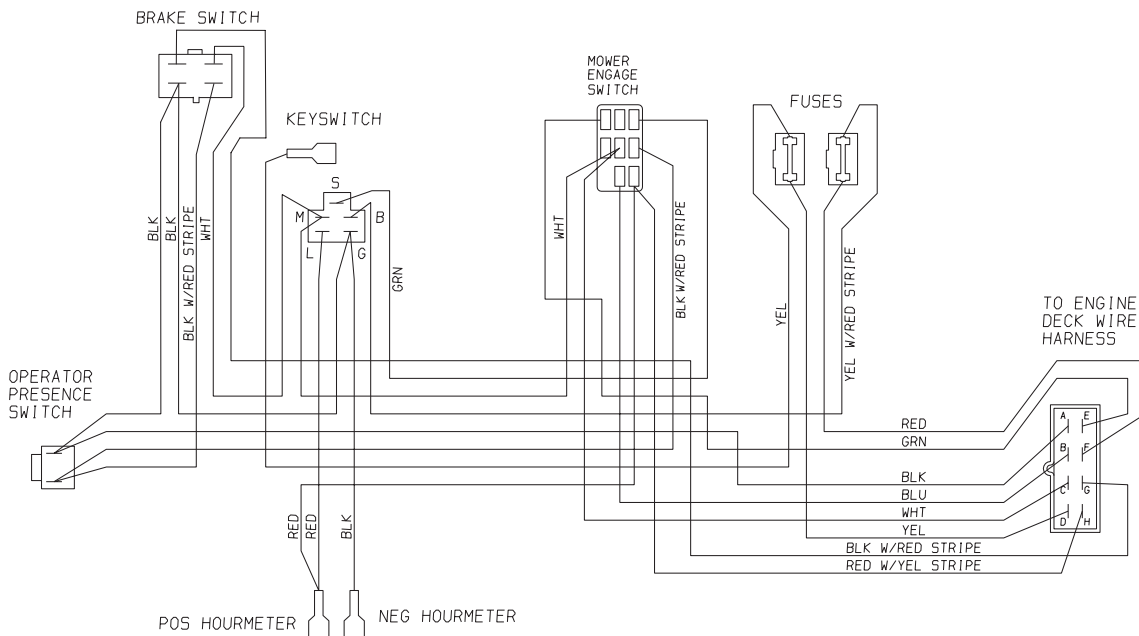
HANDLE WIRE HARNESS - MANUAL START PART NO. 482686

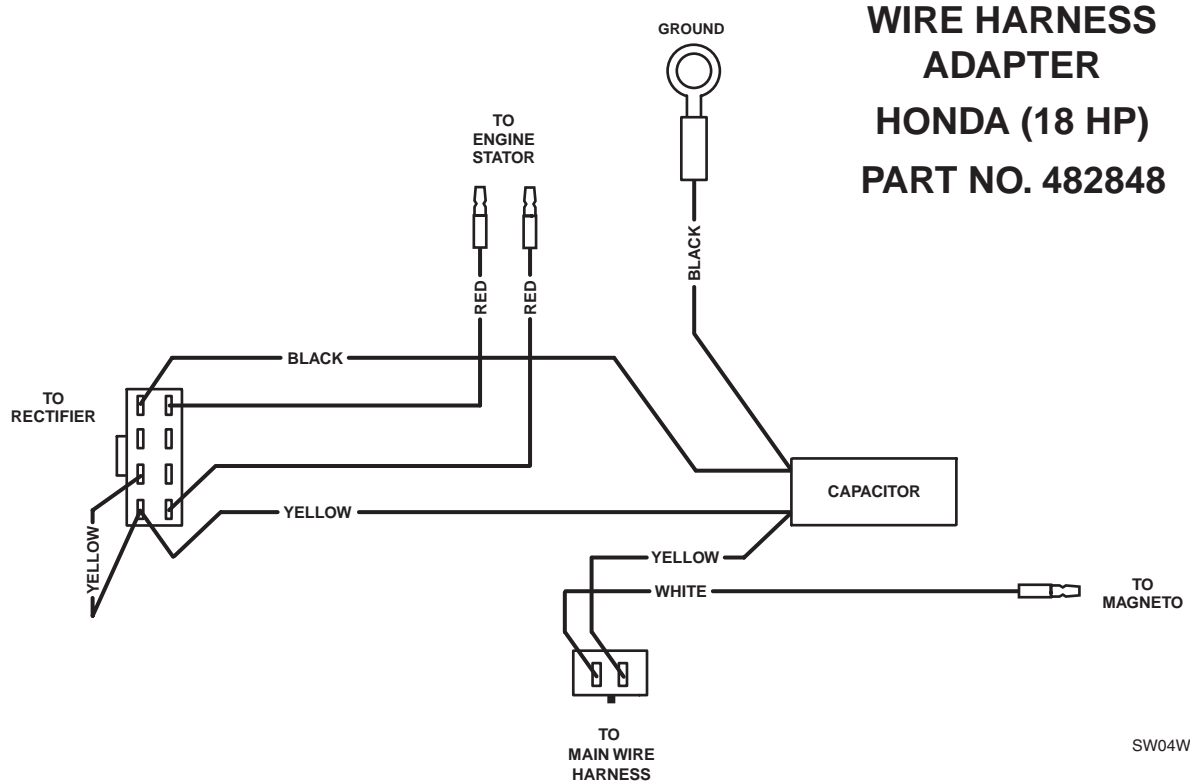


ENGINE DECK WIRING HARNESS KAWASAKI ELECTRIC START PART NUMBER: 483076

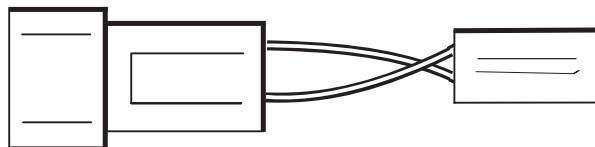


HANDLE WIRING HARNESS KAWASAKI ELECTRIC START PART NO. 482687





**WIRE HARNESS ADAPTER
KAWASAKI (15 HP, 17 HP & 19 HP)
PART NO. 481717**



SWZ05WH481717

REPLACEMENT DECALS & INFORMATION



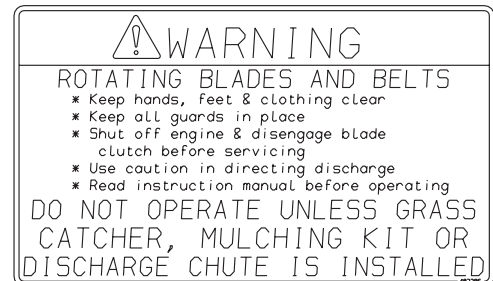
482165



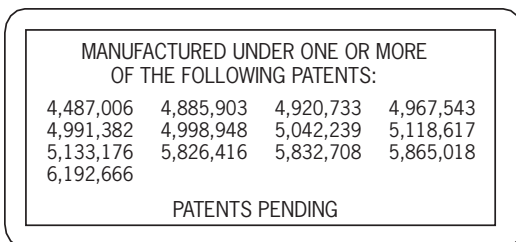
48314



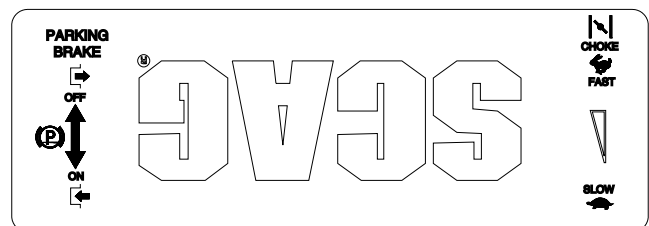
482285



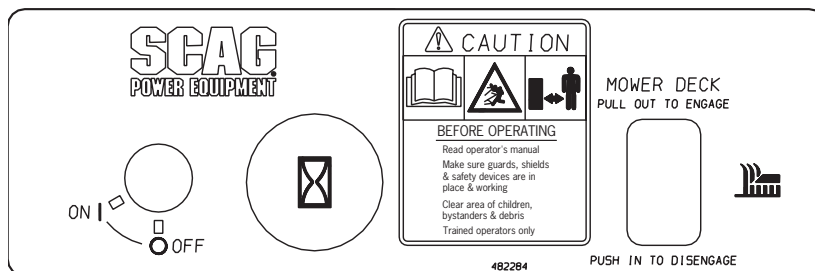
482286



483044



481414



482284



48404

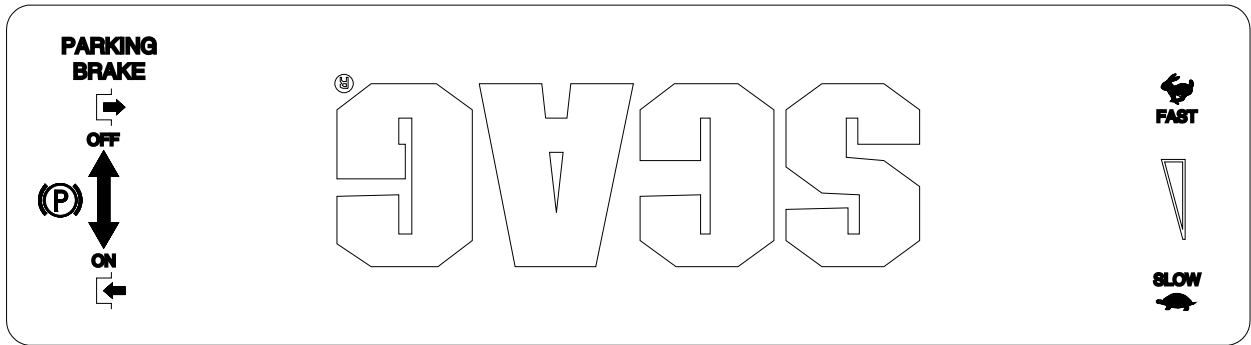


481109

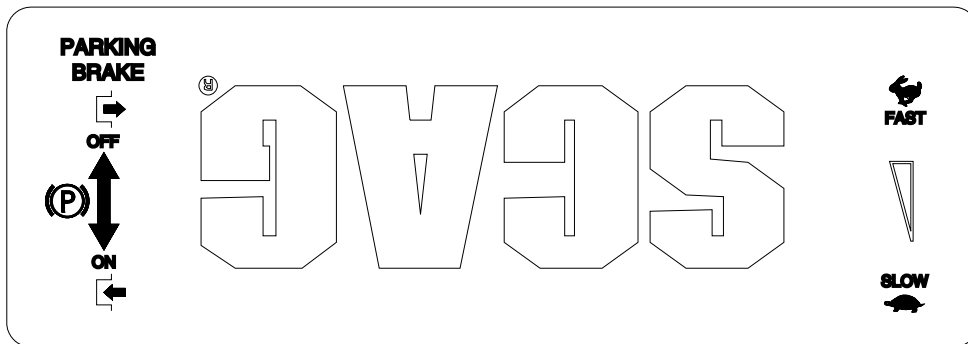


481039

REPLACEMENT DECALS & INFORMATION



481423



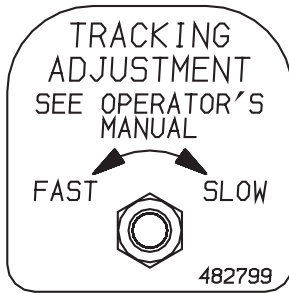
481438



36" - 482297
48" - 481953
52" - 481954
61" - 481955



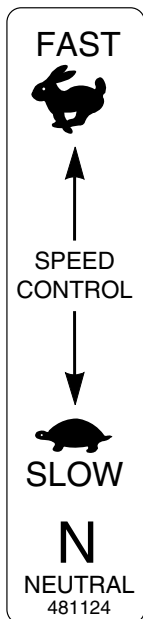
481971



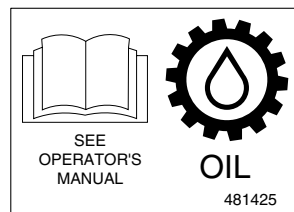
482799



481942



481124



481425

482816

CUTTING HEIGHT ADJUSTMENT

DECK MOUNTING HOLE POSITION
NUMBER OF CASTER SPACERS (BELOW SUPPORT)

	NUMBER OF SPACERS ABOVE CUTTER BLADES						
	0	1	2	3	4	5	
TOP	0	-	-	2-3/8	2-1/8	1-7/8	1-5/8
MIDDLE	0	-	-	2-5/8	2-3/8	2-1/8	1-7/8
MIDDLE	1	-	-	2-3/4	2-1/2	2-1/4	2
BOTTOM	2	-	-	-	-	2-7/8	2-5/8
BOTTOM	3	-	4	3-3/4	3-1/2	3-1/4	3
BOTTOM	4	4-3/8	4-1/8	3-7/8	3-5/8	3-3/8	3-1/8

482816